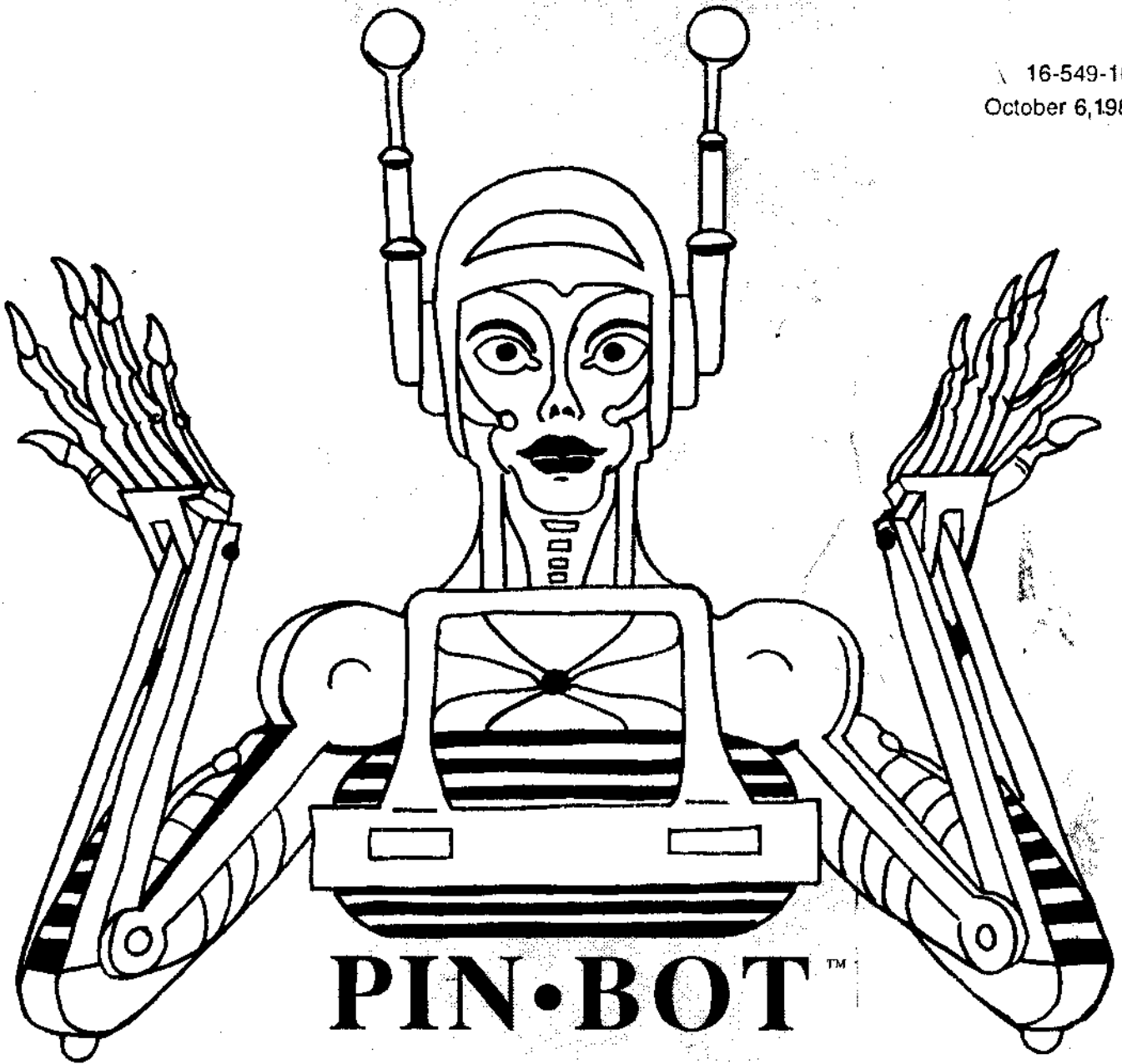


16-549-101
October 6, 1986



INSTRUCTION MANUAL

Williams® 
ELECTRONICS GAMES, INC.

3401 N. California Avenue

Chicago, Illinois 60618

Phone: (312) 267-2240 • Fax: (312) 267-3747

Telex 253095

PIN•BOT™

INSTRUCTION MANUAL

Williams® 
ELECTRONICS GAMES, INC.

3401 N. California Avenue
Chicago, Illinois 60618

Phone: (312) 267-2240 - Fax: (312) 267-3747
Telex 253095

Contents

Section 1 - Game Operation & Test Information

<i>PIN•BOT</i> (System-11) ROM Summary	1
Connector Identification	2
<i>PIN•BOT</i> Circuit Boards	2
<i>PIN•BOT</i> Game Control Locations	2
Pinball Game Assembly Instructions	3
Game Operation	3
Figure 1. Pinball Assembly, Playfield Pitch Angle, and Leg Leveler Details	4
<i>PIN•BOT</i> Game Play	5
<i>PIN•BOT</i> Game Status Displays	6
<i>PIN•BOT</i> Audit Table	7
<i>PIN•BOT</i> Game Adjustment Table	8-9
Game Adjustment Procedure	10
Items 01	10
02 - 06	11
07 - 12	12
13 - 21	13
22 - 29	14
30 - 39	15
40 - 45	16
46 - 51	17
52 - 54	18
55 - 58	19
59 - 62	20
63 - 65	21
66 - 70	22
Resetting the High Scores	23
Game Pricing	23
Pricing Table	24
Test/Diagnostic Procedures	25
Music Test	25
Display Test	25
Sound Test	25
Lamp Tests	26
<i>PIN•BOT</i> Lamp-Matrix Table	26
Solenoid Test	27
<i>PIN•BOT</i> Solenoid Table	27
Special and Controlled Solenoids - Diagrams and Details	28
Switch Tests	28
<i>PIN•BOT</i> Switch-Matrix Table	29
Ending the Diagnostic Tests	30
Auto Burn-in Mode	30
System-11 Memory Chip Test	30
CPU LED Indicator Codes Table	31
System-11 Sound Section Test	31
Maintenance Information	32
Figure 2. Adjustments and Lubrication Points, Ball Feeder Trough	32

Contents

Section 2 - Game Parts Information

Player Score Display Panels & Segments Diagrams	34
Ball Trough Feeder, C-9638	35
Playfield Pivot & Hinge Bracket	35
Ball In Play/Match Display Panel	35
Alphanumeric Master Display Board (D-10877)	36
D-8345 Power Supply Board	37
System 11A CPU Board Parts Layout and Parts Listing	38 - 39
Background Sound & Speech Board (D-11297)	40
Backbox Parts	41
3-Bank Drop Target Assembly (D-9355)	42
Flipper Assemblies (C-9952-R & C-9953-L)	43
Chest Lamp Matrix Board (C-11310)	43
Visor & Targets Mechanism.	44
Visor Assembly (C-11159)	44
Visor Motor Assembly (B-11169)	45
Visor Teeth Target Carrier Assembly (B-11156)	45
Ramp Lifting Mechanism	46
Jet Bumper (B-9414)	47
Ball Eject Assembly (B-9361-R-1)	47
Ramp Exit Playfield (C-11248)	48
Miscellaneous PIN•BOT Parts	48
Playfield Parts	49
Solenoids/Flashers & Rubber Parts	50
Lamps	51
Switches	52

Section 3 - Reference Diagrams & Schematics

Cabinet Wiring Diagram	54
Alphanumeric Master Display Board Schematic	55
Background Music & Speech Board Schematic	56-57
Interboard Signals Diagrams	58
Schematic, System 11 CPU (16-8947, Sheet 1 of 4)	59
Schematic, System 11 CPU (16-8947, Sheet 2 of 4)	60
Schematic, System 11 CPU (16-8947, Sheet 3 of 4)	61
Schematic, System 11 CPU (16-8947, Sheet 4 of 4)	62
Power Wiring Diagram	63
D-8345 Power Supply Schematic	64
C-8364 Display Schematic.	64

Section 1

Game Operation & Test Information

- ***PIN•BOT* (System-11) ROM Summary**
- **Pinball Game Assembly Instructions**
- **Game Play**
- **Game Status Displays**
- **Game Adjustment Procedure**
- **Game Pricing**
- **Test/Diagnostic Procedures**

***PIN•BOT* (System-11) ROM Summary**

IC	DESCRIPTION	TYPE	IDENTIFIER	BOARD	PART NUMBER
Game ROM 1	32K x 8 ROM	27256	U27	CPU	A-5343-549-2
Game ROM 2	16K x 8 ROM	27128	U26	CPU	A-5343-549-1
Sound ROM 1	32K x 8 ROM	27256	U21	CPU	A-5343-549-4
Sound ROM 2	32K x 8 ROM	27256	U22	CPU	A-5343-549-3
Background (B/G)					
Sound/Speech ROM 1	32K x 8 ROM	27256	U4	B/G Mus./Sp.	A-5343-549-5
B/G Snd./Spch. ROM 2	32K x 8 ROM	27256	U19	B/G Mus./Sp.	A-5343-549-6

NOTICE

To order a replacement ROM from your authorized WILLIAMS ELECTRONICS GAMES distributor, specify: (1) part number (if available); (2) ROM label color; (3) ROM level (number) on the label; (4) which game the ROM is used in.

CONNECTOR IDENTIFICATION

WILLIAMS ELECTRONICS GAMES uses a special technique to identify connectors. Each plug or jack receives a prefix number (which identifies the circuit board), a letter, and a number. J-designations refer to the male part of a connector. P-designations refer to the female part of a connector. For example, 1J1 designates jack 1 of board 1 (a CPU Board jack); 3P6 designates plug 6 of board 3 (a Power Supply Board plug).

Identifying the specific pin number of a connector involves a hyphen, which separates the pin number from the plug or jack designation. For example, 1J1-3 refers to pin 3 of jack 1 on board 1.

PIN•BOT CIRCUIT BOARDS

All *PIN•BOT* Circuit Boards are in the backbox. They are accessible by removing the backbox glass, unlatching the insert board, and swinging it open.

CPU BOARD. The System-11 CPU Board (p/n D-10881) must be equipped with the ROMs specified in the *PIN•BOT* (System-11) ROM Summary. For this ROM complement, on *Revision B (or later)* CPU boards (having jumpers W1 through W18): jumpers W1, W2, W4, W5, W7, W8, W11, W12, W13, W14, W16, W17, and W18 must be connected. Jumper W7 is cut/removed for West German games.

BACKGROUND MUSIC & SPEECH BOARD. The Background Music & Speech Board is p/n D-11297, as supplied with ROM and microprocessor.

DISPLAY BOARDS. The Alphanumeric Master Display Board is p/n D-10877. Two of the 7-digit Player Score Displays (player 1 and 2) are p/n C-10866. The player 3 and 4 Displays are p/n C-8364-1. The 2-digit Credit (also BALL IN PLAY), 2-digit MATCH Display is p/n C-8365-1.

POWER SUPPLY BOARD. The Power Supply Board is p/n D-8345 -549.

Prefix numbers for *PIN•BOT* System-11 circuit boards and major assemblies are listed below. A prefix number may precede a component designator to identify the unit (e.g., connector 1J1).

1 - CPU	6 - Backbox	11 - B/G Music/Speech
2 - (not assigned)	7 - Cabinet	12 - (not assigned)
3 - Backbox Power Supply	8 - Playfield	13 - (not assigned)
4 - Alphanumeric Display	9 - Insert Board	14 - (not assigned)
5 - Player Score Displays	10 - (not assigned)	15 - Flipper Power Supply

PIN•BOT GAME CONTROL LOCATIONS

The On-Off switch is on the bottom of the cabinet near the right front leg.

The Volume Control is on the left inner wall of the cabinet on the tilt mechanisms board. It is accessible by opening the coin box door.

The Credit switch is a pushbutton to the left of the coin door on the cabinet exterior.

GAME ADJUSTMENT/DIAGNOSTIC SWITCHES. *PIN•BOT* allows the operator to program virtually all game adjustments, obtain bookkeeping information, and diagnose problems, using only three switches mounted on the inside of the coin door and the Credit button beside the coin door.

ADVANCE, AUTO-UP/MANUAL-DOWN, and HIGH-SCORE RESET are the switches located on the inside of the coin door. Refer to the Game Status Displays text and the Text/Diagnostic Procedures for details concerning their operation.

The Memory Protect switch is on the inside frame of the coin door. This interlock switch must be open to clear bookkeeping totals and to make game adjustments. It automatically opens, when the coin door opens.

PIN•BOT GAME CONTROL LOCATIONS (Continued)

The CPU Diagnostic switch (SW 2) is the lower switch (of the two switches mounted on the left edge of the CPU Board) near a large, socketed microprocessor chip. This switch initiates the Memory Chip Test explained in the Diagnostic Procedures.

The Sound Diagnostic switch (SW 1) is the upper switch of the two mounted on the left edge of the CPU Board. This switch initiates the Sound Section Test. Refer to the Diagnostic Procedures.

PINBALL GAME ASSEMBLY INSTRUCTIONS

1. Open the shipping container; remove all cartons, parts, and other items, and set them aside.
2. Place cabinet on a support and attach rear legs, using leg bolts (provided in the cash box).
3. Attach the front legs, using leg bolts.
4. Reach into the cabinet and backbox and check the mating of the interconnecting cables, matching several wire colors at each connector. Ensure that all connections are properly secure.

CAUTION

Ensure that the interconnecting cables are free to move (not kinked or pinched). Be careful not to damage wires at any stage of the assembly process.

5. Raise the hinged backbox into position. Secure the backbox with mounting bolts through the bottom holes into the threaded fasteners in the cabinet.
6. Extend the rear leg levelers to approximately 2/3 length below the leg bottom. Remove the cabinet from its support and place it on the floor.
7. Remove the playfield cover glass to permit accurate measurement of the playfield level and pitch. Level (side-to-side) the playfield (preferably measured ON the playfield surface), and firmly tighten the nut on each leg leveler shaft to maintain this level setting, as shown in Figure 1.
8. Adjust the front leg levelers for proper playfield level (side-to-side) and playfield pitch angle (incline) of approximately 6 degrees. (Again, it is recommended that these measurements be made ON the playfield, not the cabinet nor the playfield cover glass.) Tighten the nut on each leg leveler shaft to maintain this setting.

CAUTION

Playfield pitch angle adjustments can affect the operation of the ball-roll tilt and the plumb bob tilt, inside the cabinet. The operator should adjust these tilt mechanisms for proper operation, after completion of the desired playfield pitch angle setting.

9. Move the game into the desired location; recheck the level and pitch angle of the playfield.
10. Verify that **two** balls are installed in the game.
11. Clean and re-install the playfield cover glass. Prepare the game for player operation.

GAME OPERATION

WARNING

After assembly and installation at its site location, this game must be plugged into a properly grounded outlet to prevent shock hazard, and to assure proper game operation. DO NOT use a 'cheater' plug to defeat the ground pin on the line cord. DO NOT cut off the ground pin.

POWERING UP. With the coin door closed, plug the game in, and switch it ON, using the On-Off switch. In normal operation, the player 1 score display and the lower two 2-digit displays (Credits and BALL IN PLAY/MATCH) initially all show 00. The GAME OVER indicator blinks. Then, the game goes into the Attract Mode (Playfield and backbox lamps flashing, sounds being heard, etc.).

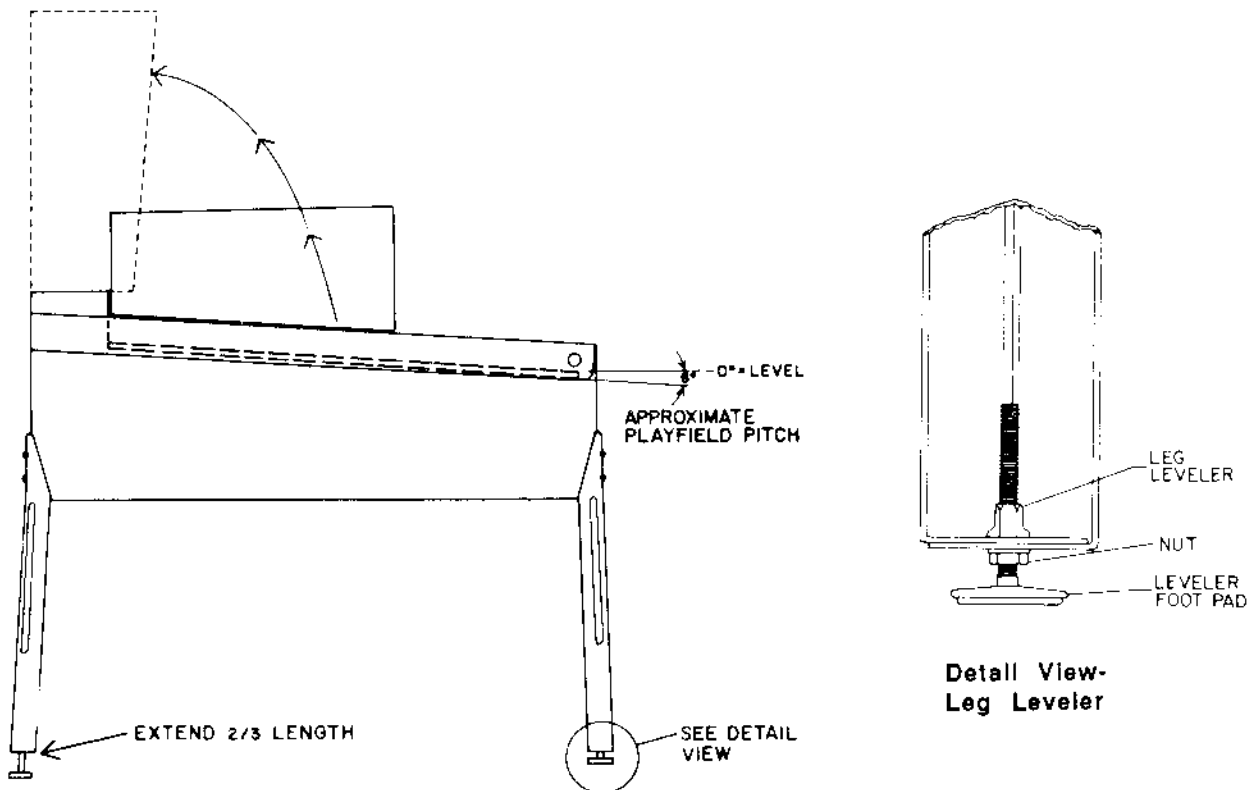


Figure 1. Pinball Assembly, Playfield Pitch Angle, and Leg Leveler Details.

GAME OPERATION (Continued)

CAUTION

PIN•BOT's System 11 game program has a new capability to aid the operator and service personnel: At game Turn-On (and also when the operator is beginning the Test/Diagnostic Procedures), a display now signals when a switch has NOT been actuated during ball play for 60 balls (20 games). Up to three switches can be displayed during this Switch Problem reporting activity. Moreover, *PIN•BOT* compensates the game play requirements affected by each disabled switch to allow 'nearly normal' play. This helps keep *PIN•BOT* earning good profits! More information is available in the Diagnostic Procedures text describing the Switch Testing.

ATTRACT MODE*. Playfield and backbox lamps blink. All player score displays exhibit a series of messages informing the player concerning:

- A. Recent highest scores*;
- B. A "custom message" ("GIVE ME SIGHT ... LOCK MY ... EYE BALLS.");
- C. The score to achieve to obtain a Replay award*;
- D. Brief game feature instructions.

These displays (or variations of them) reappear occasionally, accompanied by sounds and music, until a player initiates game play by inserting a coin or, when credits are available, pressing the Credit button.

CREDIT POSTING. Insert coin(s). A sound is heard for each coin, and the Credits display shows the number of credits purchased. So long as the number of maximum allowable credits* are *NOT* exceeded by coin purchase or high score, credits are posted correctly. However, after this maximum credits value is reached, posting of additional credits won (not purchased) by the player does *not* occur. *ONLY* posting of *purchased* credits occurs beyond the maximum credits value.

GAME OPERATION (Continued)

STARTING A GAME. Press the Credit button once. A startup sound plays, and the amount shown in the Credit display decreases by one. Player display 1 flashes (until the first playfield switch is actuated), and the BALL IN PLAY display shows 1. Additional players may enter the game by pressing the Credit button once for each player, before the end of play on the first ball.

TILT. Actuating the Slam Tilt switch on the coin door inside the cabinet ends the current game; *PIN•BOT* then proceeds to the Game Over Mode. With the actuation of the ball-roll or playfield tilt switches, or the third closure* of the plumb bob tilt switch, the player loses the remaining play of that ball, but can complete the game.

END OF GAME. All earned scores and bonuses are awarded. If a player's final score exceeds the specified value, the player receives a designated award for achieving the current highest score. A random digit set* appears in the MATCH display. Credit* may be awarded, when the last two digits of any player's score display (1 through 4) match the random digits of the MATCH display. Match, high score, and game over sounds are made, as appropriate.

GAME OVER MODE. The GAME OVER indicator lights. The player 1 and 2 score displays show **GAME OVER**. Then, the high scores flash on the appropriate player score displays. The game proceeds to the Attract Mode.

* - operator-adjustable feature

PIN•BOT GAME PLAY

Right Flipper Return & Eject	Right Flipper Return Lane flashes Eject value (Adj. for timed interval, or until made): 25K - 50K- 75K - Lites Extra Ball. Entering Eject Hole, when flashing, scores value and turns on light. Hitting Return Lane again flashes next value. Lighting Extra Ball lights one of four lower lanes (on Lane Change) for Extra Ball.
Jet Bumpers & "Energy Value"	Every hit on a Jet Bumper increases "Energy Value" by 2000; starting at 50,000, "Energy Value" carries over from ball to ball. Hitting flashing Drop Target raises Ramp and lights target to collect "Energy Value" for timed interval (Adj. 1 - 90 sec). "Energy Value" maximum is 500,000.
5-Bank Teeth & Right 5-Bank Targets	Hitting Teeth targets lights "Chest Panel" lamps vertically. Hitting Right 5-bank targets lights "Chest Panel" lamps horizontally. Lighting all 5 rows opens Visor and drops Teeth targets. "Eye" Eject Holes are now flashing to lock balls for Multi-Ball™. During Multi-Ball™, all scores are doubled (2X). Lighting all 5 rows a second time lights one Extra Ball light. Hitting target lit by flashing light bar (on 1st shot <u>only</u>) opens Visor automatically.
Ramp Shot Bonus Multiplier - Solar Value	Ramp shot advances Bonus X (Bonus Multiplier): 2X-3X-4X-5X. Every shot up the Ramp, when NOT lit, increases "Solar" value by 50K (Adj. 25K to 99K). Starting at 100K (up to 5 million max.), this feature carries over ball-to-ball, player-to-player, and game-to-game, until collected. During Multi-Ball™, locking one ball in Eye-Eject lights Ramp to "Collect Solar Value".
3-Bank Targets & Planets	Making 3-bank targets within time limit scores 25,000 and advances to next planet: Pluto - Neptune - Uranus - Saturn - Jupiter - Mars - Earth - Venus - Mercury - The SUN).
Left Flipper Return Lane	Left Flipper Return Lane lights lower right Bullseye (Adj. On, until made, or for timed interval) to advance Planets.

PIN•BOT GAME PLAY (Continued)

At Game Start, PIN•BOT selects a destination (planet) for the player. Reaching selected planet scores Special. Reaching The SUN lights lower right target for an additional Special (*and* a super light show). Planets score 20,000 each at Bonus Collect.

VORTEX

VORTEX Hole values range from 5,000 (easy) to 20,000 (medium) to 100,000 (hard). Every ball shooter shot entering VORTEX multiplies Hole values, starting at X1 up to X10 for the tenth time, then back to X1. Examples: 50,000 = 5,000 X10; 200,000 = 20,000 X 10; 1 million = 100,000 X 10.

BONUS

Bonus goes from 1,000 to 99,000 max., and is displayed when bonus is advanced, when ball drains, and also when a flipper button is held for a status report.

PIN•BOT GAME STATUS DISPLAYS

PIN•BOT utilizes a new format for the display of information concerning the game's bookkeeping and game play feature adjustment. Basically, three classes of information now become available to the game owner/ operator: Id (Identification); Au (Audit); Ad (Adjustment). Each of the underscored two-letter abbreviations for these classes appears in the Credits display, while the system microprocessor for the PIN•BOT game is displaying the items within each class in the status display mode.

Identification Information--Id

With the game turned on, the coin door open, and the AUTO-UP/MANUAL-DOWN switch in the AUTO-UP position, the operator can press the ADVANCE switch once, briefly. PIN•BOT's displays immediately change from the Attract Mode to the Game Status Display Mode. This is evident by the following display, shown in columnar form. The column headings refer to the various backbox displays. (Player display 3 does not appear in the listing because it remains blank):

Player 1	Player 2	Player 4	Credits	BALL IN PLAY/ MATCH
PIN•BOT		549 L-x*	Id	00

* x - indicates ROM revision level; e.g., 1 is initial issue; 2, 3, etc. for later revisions.

The game is named in the player score 1 and 2 displays. The game's identification number and the ROM revision level appears in the player 4 display. The Credits display shows the status display mode in abbreviated form, *Id*. The BALL IN PLAY/MATCH display shows the status display mode item for this particular display.

Pressing ADVANCE once more causes the **Id 01** display to appear. This display describes which of the "Install" options is currently in effect. For example, if the YES option of the INSTALL FACTORY Adjustment Item (Ad 70) was last selected, *FACTORY SETTING* appears on the Player Score displays. Changing the setting of any other game adjustment item, after selecting the YES option for Ad 70 causes the display to change to *FACTORY ALTERED*. Similarly, if the operator selects the YES option for INSTALL HARD (Ad 65), the display indicates *HARD SETTING*. Changing a game adjustment item later then causes the display to show *HARD ALTERED*.

Audit Information--Au

While the AUTO-UP switch remains in the Up position, the operator can press the ADVANCE switch once, briefly, to begin the backbox displays of Audit (sometimes called "bookkeeping") Information. Forty-four audit entries are now available. Calculation of the various factors is no longer necessary because the PIN•BOT System 11's game program now performs all the mathematical factor computations. This information is intended to aid the owner/operator in evaluating how the game is performing in each location, by providing knowledge about which game features are receiving the most play. With this information, the owner/operator can determine whether adjusting the game features to other

PIN•BOT GAME STATUS DISPLAYS (Continued)

settings will contribute to increased game earnings.

The operator can press the ADVANCE button once to view each Audit Information display item. To proceed more rapidly through this information, the operator only has to press and hold the ADVANCE button. If a desired item is passed, the operator can use the MANUAL-DOWN switch position with the ADVANCE button to back up to the desired item.

The **PIN•BOT Audit Table** lists the 44 items of the Audit Information portion of the *PIN•BOT* Game Status Displays. Presentation of this Audit Information again utilizes the player score displays; however, the player 1 and 2 displays are combined as a descriptive phrase. The light type below the table's column headings names the respective backbox displays where the information appears. Because the player 4 display contains information which depends on game play, only a few example entries are shown in the table. The Credits display shows *Au* for all 44 audit items, so its entry is omitted from the tabular listing. Detection of erroneous data affecting any of the counters used in these audit items causes the message, ERROR, to be displayed in the player 3 display, during display of any audit item associated with that particular counter. (The program does not analyze the cause of the error; it merely alerts the operator of the error's existence by the message.)

PIN•BOT Audit Table

Audit Item (MATCH)	Descriptive Phrases (Player 1 and 2 Displays)	Audit Factor - Value (Player 4)
01	Left Coins [chute next to coin door hinge]	432
02	Center Coins	0
03	Right Coins	398
04	Paid Credits	830
05	Total Plays	
06	Total Free (Total Free Plays)	
07	Percent Free (% Free Plays)	
08	Replay Awards	
09	Percent Replay (% Replay Awards)	
10	Special Awards	
11	Percent Special (% Special Awards)	
12	Match Awards	
13	HSTD (High Score to Date) Credits	
14	Percent HSTD (% HSTD Credits)	
15	Extra Balls	
16	Percent Ex. Ball (% Extra Balls)	
17	Av. Ball Time (Average Time in Seconds)	
18	Min. of Play (Minutes of Play)	
19	Balls Played	
20	Replay 1 Awards	
21	Replay 2 Awards	
22	Replay 3 Awards	
23	Replay 4 Awards	
24	1 Playr Games	
25	2 Playr Games	
26	3 Playr Games	
27	4 Playr Games	
28	Burn in Cycles	
29	D. T. Percent (% Compl. Timed Drop Target)	
30	Solar Percent (% Compl. Timed Solar Bonus)	
31	Energy Percent (% Awarded, Energy Bonus)	
32	S. Eject Percent (% Awarded, Timed Sngl. Ej. Hole Bonus)	
33	Reach Percent (% Awarded, Reach for Planet Bonus)	
34	Solar Awards (# of Solar Bonus Awards)	
35	Energy Awards (# of Energy Awards)	
36	Reach Awards (# of Reach for Planet Awards)	
37	Chest Ex. Ball (# of Ex. Balls started from Chest)	
38	S. Eject Ex. Ball (# of Ex. Balls started from Sngl. Ej. Hole)	
39	H. S. Reset Counter	
40	Aut. Pct. Data 1	
41	Aut. Pct. Data 2	
42	Aut. Pct. Data 3	
43	Aut. Pct. Data 4	
44	Aut. Pct. Data 5	

NOTE:
1. The numbers shown in this column for Items 1 through 4 are examples. Entries for all items depend on the amount of play; thus, they will vary from location to location.

PIN•BOT GAME STATUS DISPLAYS (Continued)

Adjustment Information--Ad

At end of the Audit Information presentation, with the AUTO-UP switch in the Up position, the operator can press the ADVANCE button to proceed to the Adjustment Information portion of the PIN•BOT Game Status Displays.

The operator can press the ADVANCE button once to view each Adjustment Information display item. To proceed more rapidly through this information, the operator only has to press and hold the ADVANCE button. If a desired item is passed, the operator can use the MANUAL-DOWN switch position with the ADVANCE button to back up to the desired item.

PIN•BOT Game Adjustment Table

Adjustment Item (MATCH)	Descriptive Phrases (Player 1 and 2 Displays)	Factory Setting (Player 4)
01	AUTO REPLAY (%) (or FIXED REPLAY SCORES) ¹	Learn10 (%)
02	REPLAY START (or REPLAY LEVEL 1) ¹	1,400,000
03	REPLAY LEVELS (or REPLAY LEVEL 2) ¹	01
04	(REPLAY LEVEL 3) ¹	OFF
05	(REPLAY LEVEL 4) ¹	OFF
06	REPLAY AWARD	Credit
07	SPECIAL AWARD	Credit
08	MATCH FEATURE	On
09	BALLS / GAME	03
10	TILT WARNING	03
11	MAXIMUM EX. BALL	04
12	MAXIMUM CREDITS	10
13	HIGHEST SCORES	On
14	BACKUP HI. SCR1	3,000,000
15	BACKUP HI. SCR 2	2,500,000
16	BACKUP HI. SCR 3	2,000,000
17	BACKUP HI. SCR 4	1,500,000
18	HI. SCR1 CREDITS	04
19	HI. SCR2 CREDITS	03
20	HI. SCR3 CREDITS	02
21	HI. SCR4 CREDITS	01
22	H. S. RESET EVERY (3,000 PLAYS) ²	
23	FREE PLAY	NO
24	U.S.A. 1 COINAGE (1 COIN 1 PLAY) ^{2,3}	
25	LEFT UNITS	01
26	CENTER UNITS	04
27	RIGHT UNITS	01
28	UNITS/ CREDIT	01
29	UNITS/ BONUS	00
30	MINIMUM UNITS	00
31	SOLAR V. ADVANCE [25,000 to 99,000]	50,000
32	BON. MULT. MEMORY [YES = retained; NO = not retained]	NO
33	S. EJECT MEMORY [YES = retained; NO = not retained]	YES
34	PLANETS MEMORY [YES = retained; NO = not retained]	YES
35	EX. BALL MEMORY [YES = retained; NO = not retained]	YES
36	CHEST MEMORY [YES = retained; NO = not retained]	YES
37	D. T. AUTO AD. [1% - 90%; or NO auto adjust]	20%
38	D. T. TIMER [1 - 90 sec., or Untimed]	15 sec
39	SOLAR AUTO AD. [1% - 90%; or NO auto adjust]	20%
40	SOLAR TIMER [1 - 90 sec; or Untimed]	20 sec

PIN•BOT GAME STATUS DISPLAYS (Continued)

The **PIN•BOT Game Adjustment Table** lists the 70 items of the Adjustment Information portion of the **PIN•BOT Game Status Displays**. Presentation of the displays is similar to that for the Audit Information (that is, the player 1 and 2 displays combine as a descriptive phrase; the light type below the column headings names the respective backbox displays where the information appears, etc.). The Credits display shows *Ad* for all 70 adjustment items, so its entry is omitted from the tabular listing.

PIN•BOT Game Adjustment Table (Continued)

Adjustment Item (MATCH)	Descriptive Phrases (Player 1 and 2 Displays)	Factory Setting (Player 4)
41	ENERGY AUTO AD. [1% - 90%; or NO auto adjust]	40%
42	ENERGY TIMER [1 - 90 sec., or Untimed]	15 sec
43	S. EJECT NO AUTO [1% - 90%; or NO auto adjust]	No auto
44	S. EJECT UNTIMED [1 - 90 sec., or Untimed]	Untimed
45	REACH AUTO AD. [1% - 90%; or NO auto adjust]	4%
46	REACH PLANET [Pluto - Mercury; Off]	JUPITER
47	CONSOL. EX. BALL [YES; NO]	YES
48	A. MODE SOUNDS [ALOT; LESS; NONE]	ALOT
49	CUSTOM MESSAGE ⁴	ON
50	SW. ALARM KNOCKER	YES
51	ENGLISH TEXT	
52	UNUSED ADJUST	
53 ⁵	INSTALL GERMAN 1 ⁶	
54 ⁵	INSTALL GERMAN 2 ⁶	
55 ⁵	INSTALL GERMAN 3 ⁶	
56 ⁵	INSTALL GERMAN 4 ⁶	
57 ⁵	INSTALL GERMAN 5 ⁶	
58 ⁵	INSTALL GERMAN 6 ⁶	
59 ⁵	INSTALL ADDABALL	NO
60 ⁵	INSTALL 5-BALL	NO
61 ⁵	INSTALL NOVELTY	NO
62 ⁵	INSTALL EX. EASY	NO
63 ⁵	INSTALL EASY	NO
64 ⁵	INSTALL MEDIUM	NO
65 ⁵	INSTALL HARD	NO
66 ⁵	INSTALL EX. HARD	NO
67	AUTO BURN-IN	NO
68	CLEAR COINS	NO
69	CLEAR AUDITS	NO
70	INSTALL FACTORY ⁷	NO

NOTES:

1. Automatic Replay percentage value range is adjustable from 5 to 50%, via the Credit button. Item 02 permits changing the factory setting value for Replay Start Level (valid for next 500 games played). Item 03 permits setting up to four replay levels, with values as detailed in text describing item 03.
For Fixed Replay Scores, set Auto Replay value to 1 less than 5(%) via the Credit button. Go to items 02, 03, 04, and 05 to install their replay level scores. Turn off any replay score level by setting 00 as its value.
2. Phrase in parentheses is **Factory Setting**. Phrase appears in (player) 3 and 4 displays. Press Credit button to change setting of item 22, or the game pricing of item 24.
3. To change country OR coinage setting, press Credit button to obtain 16 Standard settings, followed by a Custom Setting. The Custom Setting activates items 25 through 30. When a Standard Setting is used, items 25 through 30 are set automatically, and cannot be changed.
4. To install Custom Message, press flipper button for alphabet and special characters. Press Credit button for next message letter or character.
5. Special Preset Adjustment, whose effects are noted in the Game Adjustment text.
6. Refer to **Pricing Table** and Game Adjustment text describing these items.
7. Approximates Ad 64, yet includes all factors listed in Factory Setting column, not just Ad 31 through 47 provided by Ad 64.

GAME ADJUSTMENT PROCEDURE

Adjustment Items 01 through 70

The coin door must be open to access the Game Adjustment/Diagnostic switches. All readings and adjustments require operation of these coin door switches. Some adjustments utilize the Credit button; some also use the flipper button(s). Additional text describing the game adjustment items follows this procedure.

1. Use AUTO-UP and press ADVANCE. The BALL IN PLAY/MATCH display initially indicates **Ad 01**. The player 1 and 2 score displays indicate AUTO REPLAY. The player 3 display shows PERCENT. If the factory setting has not been changed, the player 4 display shows LEARN10, indicating the setting of a 10% replay percentage. (The "Learn" feature causes the game program to adjust itself automatically, as discussed in the following text concerning the 'details' about Adjustment Item 01.)
2. To reach a higher item number (in the BALL IN PLAY/MATCH display), use AUTO-UP and press ADVANCE. To return to a previous item number, use MANUAL-DOWN and press ADVANCE.
3. With the desired item number (refer to the **PIN•BOT Game Adjustment Table**) showing in the BALL IN PLAY/MATCH display, increase the value (or select another option) shown in the player 4 display by using AUTO-UP and pressing the Credit button. Repeat this step for each item, until all adjustments have been made.

(The same procedure can be used for Audit Items. To zero **Au 01 - 04** (concerning the coin chutes and the total coins), the operator can proceed to item 68, Clear Coins, and press the Credit button to obtain the YES option. The operator then presses the ADVANCE button and notes the "COINS CLEARED" display, which verifies that the entry values for items 01 through 04 of the Audit Items are now reset to zero.)

For example, the operator may desire to change the degree of game play difficulty from the Factory Setting (equivalent to the Install Medium [Ad 64] difficulty, along with a number of other automatically installed settings, as shown in the right column of the **Game Adjustment Table**) to another difficulty more suitable for the players at a particular game site. Four other 'automatic' play difficulty settings (Ad 62 - Ad 66) are available, each of which, if selected, installs all the adjustments listed for that item in the following 'details' text.

4. To proceed rapidly through the entire adjustments series, *press and hold* ADVANCE, until **Ad 70** shows in the BALL IN PLAY/MATCH display. From item 70, you can: (A) return to the Game-Over Mode; or (B) restore factory settings and zero audit (bookkeeping) totals. Perform either of the following, as desired:
 - A. To reach Game-Over Mode, use AUTO-UP and press ADVANCE once. **PIN•BOT** now goes to the Game-Over Mode.
 - B. To restore factory settings, zero all audit (bookkeeping) totals, *and* return to Game-Over Mode, use AUTO-UP or MANUAL-DOWN to display item 70 in the BALL IN PLAY/MATCH display. Press the Credit button to display the YES option in the player 4 display. Using AUTO-UP, press ADVANCE once. **PIN•BOT** now zeroes ALL audit totals and changes ALL game adjustments back to those originally selected as Factory Settings. It then shows the operator a message ("FACTORY SETTING") that this has occurred. (A problem in the Memory Protection circuit or closing the coin door will cause the message "ADJUST FAILURE" to appear.) Press ADVANCE once more to return to the Game-Over Mode.

Details of Adjustment Items 01 through 70

01 Auto Replay (or Fixed Replay)

Of the two options, AUTO REPLAY is the Factory Setting. The percentage of replays automatically awarded has a Factory Setting of *LEARN 10%* (German games have a Factory Setting of *LERNE 15%*). The *LEARN* mode aids a game's initial installation by causing the game program

GAME ADJUSTMENT PROCEDURE (Continued)

01 Auto Replay (or Fixed Replay) (Continued)

to compare the value of the Replay Level to the player's score 16 times during the first 800 games. At each comparison, the program increases (or decreases) the Replay Level by 100,000 to achieve the replay percentage specified either via the factory setting or later operator adjustment. (After the first 800 games, the comparison occurs after every 500 games.) Use the Credit button to change the percentage within the range of *LEARN 5* to *LEARN 50* (%), followed by *5%* to *50%*, with the value increasing using AUTO-UP (or decreasing using MANUAL-DOWN). The next Credit button change beyond 50%, or below LEARN 5%, selects the FIXED REPLAY option.

For AUTO REPLAY, Ad 02 provides the Starting Replay Level (player 1 and 2 displays show REPLAY START). Ad 03 provides the number of replay levels (01, 02, 03, or 04). *PIN•BOT* then proceeds to Ad 06 automatically.

For FIXED REPLAY, Ad 02 is the first replay level (REPLAY LEVEL 1). Ad 03, 04, and 05 are the other replay levels.

02 Starting Replay Level (or Replay Level 1)

For AUTO REPLAY (refer to Ad 01), the Factory Setting is 1,400,000 (German games have a Factory Setting of 1,000,000). The range of settings is *800,000* through *2,000,000* (by increments of 100,000 with AUTO-UP or decrements of 100,000 with MANUAL-DOWN).

For FIXED REPLAY, the operator can enter the value to be used for the first fixed replay score level via the Credit button. The range of settings is: *OFF*; *100,000* through *9,900,000* (by increments of 100,000 with AUTO-UP, or decrements of 100,000 with MANUAL-DOWN).

03 Replay Levels (or Replay Level 2)

For AUTO REPLAY (refer to Ad 01), the Factory Setting is 01 (one replay level). The option range is *one, two, three, or four* replay level(s). When the operator chooses two replay levels, *PIN•BOT* automatically adjusts the second replay level to be twice the value selected for Ad 02, the starting replay level. Choosing three or four replay levels automatically adjusts their replay levels to three times or four times the Ad 02 value.

For FIXED REPLAY, the technique of value entry and the range of settings are identical to those of Ad 02.

04 (Replay Level 3)

For AUTO REPLAY, this Adjustment Item is not applicable. *PIN•BOT* automatically bypasses this adjustment.

For FIXED REPLAY, the technique of value entry and the range of settings are identical to those of Ad 02.

05 (Replay Level 4)

For AUTO REPLAY, this Adjustment Item is not applicable. *PIN•BOT* automatically bypasses this adjustment.

For FIXED REPLAY, the technique of value entry and the range of settings are identical to those of Ad 02.

06 Replay Award

For either AUTO REPLAY or FIXED REPLAY (Ad 01), the operator can select the form of the award automatically provided when the player exceeds any Replay Level (Automatic or Fixed). The choices are:

Credit - Reaching each replay level obtains a credit (free game). This is the Factory Setting.

GAME ADJUSTMENT PROCEDURE (Continued)

06 Replay Award (Continued)

- Ball* - Reaching each replay level obtains an extra ball.
- Audit* - Reaching each replay level obtains nothing to the player; it does increase the entry value of the Audit Item(s) maintaining a tally of these awards (Au 08, and Au 20 through 23, as applicable).
- Coil* - Reaching each replay level causes the Knocker coil to activate once per free play won (instead of awarding a credit for each level exceeded).

NOTE

A ticket dispenser or token dispenser can be activated by the Knocker coil driver to provide an alternative award for each free play achieved by the player.

07 Special Award

The operator can select the form of the award automatically provided when the player scores a Special. The choices are:

- Credit* - Scoring each Special, when lit, obtains a credit (free game). This is the Factory Setting. A variation to this award occurs, when the setting of Ad 06 is Coil. (This permits a ticket or token dispenser to provide the award, when applicable.)
- Ball* - Scoring each Special, when lit, obtains an extra ball.
- Score* - Scoring each Special, when lit, obtains a score advance of 100,000 points to the player.

08 Match Award

The operator can select whether the Match action occurs at completion of each game. The choices are:

- On* - This is the Factory Setting. The game selects a random two-digit number at end of game and compares each player's score for an identical two digits in the rightmost two positions. A matching of the two digits results in the award of a credit (or a ticket/token, if a dispenser is attached, and the setting of Ad 06 is Coil).
- Off* - The MATCH display does not operate at completion of the game; no award is given.

09 Balls / Game

The operator can define a "game" by specifying the number of balls to be played. The Factory Setting is 3. The range of settings is 1 through 9.

10 Tilt Warning

The operator can specify the allowable number of total actuations of the plumb bob and playfield tilt mechanisms that can occur before the game is "tilted". The range of this setting is 1 through 5. The Factory Setting is 3.

11 Maximum Extra Ball

The operator can specify the maximum number of Extra Balls to be accumulated at any time. The range of this setting is 00 (which allows NO extra ball play, and displays a message, NO EX. BALL) and 1 through 9. The Factory Setting is 4.

12 Maximum Credits

The operator can specify the maximum number of credits the game can accumulate, either through game play awards or coin purchases. The range of settings is 5 through 99. The Factory Setting is 10 (Factory Setting for German games is 30). Reaching the specified setting prevents the award of additional credits by game play. Coin purchases do continue to accumulate and are displayed.

GAME ADJUSTMENT PROCEDURE (Continued)

12 Maximum Credits (Continued)

NOTE

Whenever the number of credits is less than the specified maximum credits, any credits obtained by coin purchase or game awards (High Score, Match, Replay Levels, etc.) will be accumulated even though they exceed the maximum value. Thereafter, no additional credits can be accumulated, until the credit total is reduced below the specified maximum setting.

13 Highest Scores

The operator can allow the game to maintain a record of the four highest scores achieved to date. The Factory Setting is *On*. The optional alternative is *Off*, which deactivates this adjustment item.

14 Backup High Score 1

The operator can set the Backup High Score value in the player 1 score display, using the Credit button. The Factory Setting is 3,000,000. The game automatically restores the value set, when the operator presses, and holds, the HIGH SCORE RESET switch, or when an automatic High Score Reset event (Ad 22) occurs.

15 Backup High Score 2

This adjustment is similar to Ad 14, except that this applies to the player 2 score display. The adjustment technique is identical to Ad 14. The Factory Setting is 2,500,000. It is also restored as described for Ad 14.

16 Backup High Score 3

This adjustment is similar to Ad 14, except that this applies to the player 3 score display. The adjustment technique is identical to Ad 14. The Factory Setting is 2,000,000. It is also restored as described for Ad 14.

17 Backup High Score 4

This adjustment is similar to Ad 14, except that this applies to the player 4 score display. The adjustment technique is identical to Ad 14. The Factory Setting is 1,500,000. It is also restored as described for Ad 14.

18 Credits for Highest Score 1

The operator can select the number of credits to be awarded, by using the Credit button, whenever a player exceeds the previous Highest Score. The range of this setting is 00 through 10. The Factory Setting is 04. A variation to this award occurs, when the setting of Ad 06 is Coil. (This permits a ticket or token dispenser to provide the award, when applicable.)

19 Credits for Highest Score 2

This adjustment is similar to Ad 18, except that this applies to the player's exceeding the second highest score. The Credit button adjustment technique is the same as for Ad 18. The range of this setting is 00 through 03. The Factory Setting is 03.

20 Credits for Highest Score 3

This adjustment is similar to Ad 18, except that this applies to the player's exceeding the third highest score. The Credit button adjustment technique is the same as for Ad 18. The range of this setting is 00 through 03. The Factory Setting is 02.

21 Credits for Highest Score 4

This adjustment is similar to Ad 18, except that this applies to the player's exceeding the fourth highest score. The Credit button adjustment technique is the same as for Ad 18. The range of this setting is 00 through 03. The Factory Setting is 01.

GAME ADJUSTMENT PROCEDURE (Continued)

22 Automatic High Score Reset

The operator can specify (via Credit button) that the game will provide an automatic reset of the displayed "Highest Scores", and the number of games to be played before the reset occurs. The values provided upon reset are those selected by the operator in Ad 14 through 17, the Backup High Scores. The range of this setting is *Off* (to disable this adjustment), and 1,000 to 99,000 games (in increments of 1,000). The Factory Setting is 3,000. (Audit item 39 displays the number of games remaining before the reset.)

23 Free Play

The operator can select (via the Credit button) whether a player can operate the game without a coin (free play) or with a coin. The optional alternatives are *No* (a coin is necessary) or *Yes* (game play is free; no coin is required). The Factory Setting is *No*.

24 Coinage Selections

The operator can specify (via the Credit button) any of the 16 Standard Settings for game pricing, each of which exhibits a message identifying the country and the number of coins required and the number of games that the coin requirement purchases. Choosing a Standard Setting permits the game to omit items Ad 25 through 30, which are adjustments allowing for a special custom coinage setting. The Factory Setting is U.S.A. 1 : 1 COIN 1 PLAY, as shown by the backbox display.

Following the last Standard Setting is a Custom Coinage Setting, which allows the operator to utilize Ad 25 through 30 in establishing a special coinage setting. A message, CUSTOM COINAGE, indicates that the operator can enter the appropriate values into the Ad 25 through 30 adjustment items.

The values for Ad 25 through 30 of each Standard Setting, as well as other possible values for the Custom Coinage Setting are shown in the **Pricing Table**.

25 Left Chute Coin Units

The operator can specify (via the Credit button) the number of coin units purchased by a coin passing through the left coin chute.

26 Center Chute Coin Units

The operator can specify (via the Credit button) the number of coin units purchased by a coin passing through the center coin chute.

27 Right Chute Coin Units

The operator can specify (via the Credit button) the number of coin units purchased by a coin passing through the right coin chute.

28 Units Required for Credit

The operator can define (via the Credit button) the number of coin units required to obtain 1 Credit. A coin unit counter in the game program totals the number of coin units purchased through all coin chutes prior to each game. If the total number of coin units purchased exceeds the 1 Credit factor by a multiple (or more, coin units) of the specified Units per Credit value, the Credits display shows the proper number of Credits. The coin unit counter retains any remaining coin units, until the start of a game; then, the coin unit counter is cleared (its contents are zeroed). The Factory Setting is 01.

29 Units Required for Bonus

The operator can specify (via the Credit button) that 1 additional Credit is to be indicated in the Credits display, when a certain number of coin units are accumulated. The Factory Setting is 00.

GAME ADJUSTMENT PROCEDURE (Continued)

30 Minimum Units Required for any Credits Posted

The operator can specify that NO Credits are to be posted (indicated in the Credits display), until the credit units counter reaches a particular value. The Factory Setting is 00.

31 Solar Value Advance

The operator can choose (via the Credit button) the value by which the Solar Value is increased. The range of this setting is 25,000 to 99,000. The Factory Setting is 50,000.

32 Bonus Multiplier Memory

The operator can choose (via the Credit button) whether the bonus multipliers are stored in memory for the 'next ball'. The choices are *No* (Lamps are turned off at the start of a ball) or *Yes* (Lamps are stored and recalled for the player's next ball). The Factory Setting is No.

33 Single Eject Hole Memory

The operator can choose (via the Credit button) whether the lamps from the Single Eject Hole are stored in memory for the 'next ball'. The choices are *No* (Lamps are turned off at the start of a ball) or *Yes* (Lamps are stored and recalled for the player's next ball). Note, lighting Extra Ball is more difficult, if there is NO memory. The Factory Setting is Yes.

34 Planets Memory

The operator can choose (via the Credit button) whether the Planet lamps are stored in memory for 'next ball' play. The choices are *No* (Lamps are turned off at the start of a ball) or *Yes* (Lamps are stored and recalled for the player's next ball). Note, getting the Special and lighting the Special is more difficult, if there is NO memory. The Factory Setting is Yes.

35 Extra Ball Memory

The operator can choose (via the Credit button) whether the Extra Ball lamps are stored in memory for 'next ball' play. The choices are *No* (Lamps are turned off at the start of a ball) or *Yes* (Lamps are stored and recalled for the player's next ball). Note, getting to shoot again is more difficult, if there is NO memory. The Factory Setting is Yes.

36 Chest Memory

The operator can choose (via the Credit button) whether the Chest Panel lamps, which open the visor, are stored in memory for 'next ball' play. The choices are *No* (Lamps are turned off at the start of a ball) or *Yes* (Lamps are stored and recalled for the player's next ball). Note, opening the visor to get Multi-Ball™ is more difficult, if there is NO memory. The Factory Setting is Yes.

37 Drop Target Auto Adjustment

The operator can choose (via the Credit button) what percentage award is earned from the 3-bank Drop Target. The range of this automatic adjustment setting is 1% (Hard) through 90% (Very easy); it can also be turned off (disabled). When the automatic adjustment is turned on (enabled), the game program adjusts the setting, at the end of a game after 50 misses or awards, except when the current value is within 2% of the setting. Then, no auto adjustment occurs. The current setting can be viewed by accessing Audit Item Au 29. The Factory Setting is enabled and 20%.

38 Drop Target Timer

The operator can choose (via the Credit button) the degree of difficulty, via a timer setting, for the 3-bank Drop Target. This setting affects the advancement through the planets and the awarding of Special. The range of this setting is 1 second (Hard) through 90 seconds (Very easy); it can also be *Untimed* (via a setting of 0). Be aware that, if this is auto adjusted, the setting is merely the initial, or current, setting. The Factory Setting is 15 seconds.

39 Solar Auto Adjustment

The operator can choose (via the Credit button) what percentage award is earned from the Solar value. The range of this automatic adjustment setting is 1% (Hard) through 90% (Very easy); it

GAME ADJUSTMENT PROCEDURE (Continued)

39 Solar Auto Adjustment (Continued)

can also be turned off (disabled), via a setting of 0. When the automatic adjustment is turned on (enabled), the game program adjusts the setting, at the end of a game after 50 misses or awards, except when the current value is within 2% of the setting. Then, no auto adjustment occurs. The current setting can be viewed by accessing Audit Item Au 30. The Factory Setting is Enabled and 20%.

40 Solar Timer

The operator can choose (via the Credit button) the degree of difficulty, via a timer setting, for the Solar value. This value increases by going on the ramp when the Score Solar lamp is not lit. The range of this setting is *1 second* (Hard) through *90 seconds* (Easy); it can also be *Untimed* (via a setting of 0) for an Extremely Easy condition. Be aware that, if this is auto adjusted, the setting is merely the initial, or current, setting. The Factory Setting is 20 seconds.

41 Energy Auto Adjustment

The operator can choose (via the Credit button) what percentage award is earned from the Energy value. The Energy value increases via Jet Bumper scoring. The range of this automatic adjustment setting is *1%* (Hard) through *90%* (Very easy); it can also be turned off (disabled), via a setting of 0. When the automatic adjustment is turned on (enabled), the game program adjusts the setting, at the end of a game, after 50 misses or awards, except when the current value is within 2% of the setting. Then, no auto adjustment occurs. The current setting can be viewed by accessing Audit Item Au 31. The Factory Setting is Enabled and 40%.

42 Energy Timer

The operator can choose (via the Credit button) the degree of difficulty, via a timer setting, for the Energy value. This value increases by Jet Bumper scoring. The range of this setting is *1 second* (Hard) through *90 seconds* (Easy); it can also be *Untimed* (via a setting of 0) for an Extremely Easy condition. Be aware that, if this is auto adjusted, the setting is merely the initial, or current, setting. The Factory Setting is 15 seconds.

43 Single Eject No Adjust

The operator can choose (via the Credit button) what percentage award is earned from the Single Eject Hole, which awards an Extra Ball. The range of this automatic adjustment setting is *1%* (Hard) through *90%* (Very easy); it can also be turned off (disabled), via a setting of 0. When the automatic adjustment is turned on (enabled), the game program adjusts the setting, at the end of a game, after 50 misses or awards, except when the current value is within 2% of the setting. Then, no auto adjustment occurs. The current setting can be viewed by accessing Audit Item Au 32. The Factory Setting is disabled (NO AUTO).

44 Single Eject Untimed

The operator can choose (via the Credit button) the degree of difficulty, via a timer setting, for the Single Eject Hole. This hole awards an Extra Ball. The range of this setting is *1 second* (Hard) through *90 seconds* (Easy); it can also be *Untimed* (via a setting of 0) for an Extremely Easy condition. Be aware that, if this is auto adjusted, the setting is merely the initial, or current, setting. The Factory Setting is Untimed.

45 Reach Auto Adjustment

The operator can choose (via the Credit button) what percentage award is earned from the 'Reach planet' for Special. The range of this automatic adjustment setting is *1%* (Hard) through *90%* (Very easy); it can also be turned off (disabled), via a setting of 0. When the automatic adjustment is turned on (enabled), the game program adjusts the setting, at the end of a game, after 50 misses or awards, except when the current value is within 2% of the setting. Then, no auto adjustment occurs. The current setting can be viewed by accessing Audit Item Au 33. The Factory Setting is enabled and 4%.

GAME ADJUSTMENT PROCEDURE (Continued)

46 Reach Planet

The operator can choose (via the Credit button) the degree of difficulty for the 'Reach Planet' to earn the Special. The range of this setting is *Pluto* (Very easy) through *Mercury* (Hard); it can also be turned *Off* for a No 'Reach Planet' Special. Be aware that, if this is auto adjusted, the setting is merely the initial, or current, setting. The Factory Setting is Jupiter.

47 Consolation Extra Ball

The operator can choose (via the Credit button) whether the player gets an Extra Ball lamp lighted on the final ball. This award is for less skilled players. To obtain the Consolation Extra Ball, the player, on his last ball: (a) must have an average ball time of less than 35 seconds; (b) can NOT have any 'Shoot Again' awards on the last ball; (c) can NOT have lighted any Extra Ball lamps; and (d) this adjustment's setting must be Yes. The choices are *No* (No Consolation Extra Ball award) or *Yes* (Award the Consolation Extra Ball. The Factory Setting is Yes.

48 Attract Mode Sounds

The operator can select (via the Credit button) the amount of sounds occurring during the Attract Mode. The choices are:

ALOT - Sounds occur during the Rules display and the Attract Mode sequence.

LESS - Sound occur during only the Attract Mode.

NONE - No sounds occur during the Attract Mode. The Factory Setting is ALOT.

49 Custom Message

The operator can choose (via the Credit button) whether to display a message during the Attract Mode. (When display of a message is selected, the operator can either utilize the message provided or change the message.) Three choices are available:

1 - Display a message during the Attract Mode. The player 4 display shows this choice as ON. This is the Factory Setting. The 3-line message provided is:

GIVE ME SIGHT ... LOCK MY ... EYE BALLS.

2 - Do NOT display a message during the Attract Mode. (Player 4 shows OFF.)

3 - The player 4 display shows this choice as CHANGE. The operator can enter a special ("custom") message, as follows:

A. Press ADVANCE once. The operator can now enter as many as three 14-character lines for display during the Attract Mode.

B. Use the flipper button(s) to select each message character (alphabet, numbers, and special symbols are available). In case of error, enter a "back arrow" (just before "space") to correct, followed by correct character. For a period after any letter, use letters with periods (following the special symbols). The entire character set is the following:

ABCDEFGHIJKLMNOPQRSTUVWXYZ0123456789<>?-/''

A. B. C. D. E. F. G. H. I. J. K. L. M. N. O. P. Q. R. S. T. U. V. W. X. Y. Z. _

C. Move to the next character via the Credit button. No entirely blank lines will be displayed.

50 SW. ALARM KNOCKER

The operator can choose (via the Credit button) whether the knocker operates, sounding an alarm to signal a switch problem, at the time of game Turn-On and at the beginning of the Test/Diagnostic Procedures. Two choices are available:

YES - The knocker sounds, signalling a switch problem, at game Turn-On and at the beginning of the Test/Diagnostic Procedures. This is the Factory Setting, and is shown in the player 4 display.

NO - The knocker does NOT sound. (Player 4 shows NO.)

51 ENGLISH TEXT

The operator can choose to display the message, audit, adjustment, and Test /Diagnostic information in English or German (Deutsch) via the Credit button.

GAME ADJUSTMENT PROCEDURE (Continued)

52 UNUSED ADJUST

This adjustment is not used for *PIN-BOT*.

SPECIAL PRESET ADJUSTMENTS CAUTION

Adjustments 53 through 66 are Special Preset Adjustments to enable the operator to perform the setting of multiple adjustments at once. They permit the operator to: (1) modify a game for a specific area (special German coinage settings, for example, Ad 53 through 58); (2) change a group of adjustments to conform with laws of certain localities (Ad 59 through 61); and (3) to change the degree of difficulty of game play (Ad 62 through 66). A list of the preceding individual Adjustments affected accompanies each of these Special Preset Adjustments. Whenever the operator chooses to use any Special Preset Adjustment, the operator can later access any or all of the individual Adjustments affected by that Special Adjustment for subsequent changes.

A similar technique is recommended in the event of error or uncertainty concerning any Special Preset Adjustment, after the operator selects it: The operator can restore the factory setting of each individual Adjustment, then select the desired Special Preset Adjustment, and then return to any of the preceding individual adjustments to determine whether use of the Special Adjustment has had the desired effect.

The Backbox displays for each Special Preset Adjustment indicate whether the operator has selected it, by identifying the Adjustment in the player 1 and 2 displays by name and the selection choice of NO, meaning Not Selected (this is the Factory Setting), or YES, meaning Selected, in the player 4 display. Selection occurs by using the Credit button to choose YES and then pressing ADVANCE.

NOTE

Games in which the CPU jumper W7 is cut ("German games") automatically have certain Adjustment Items preset:

<u>Ad</u>	<u>Name</u>	<u>New Setting</u>	<u>Ad</u>	<u>Name</u>	<u>New Setting</u>
01	Auto Replay	Lerne15 (%)	16	Backup Hi Scr 3	1,500,000
02	Replay Start	1,400,000	17	Backup Hi Scr 4	1,000,000
03	Replay Levels	3	18	Hi Scr 1 Credits	03
			19	Hi Scr 2 Credits	00
			20	Hi Scr 3 Credits	00
12	Maximum Credits	30	21	Hi Scr 4 Credits	00
14	Backup Hi Scr 1	2,500,000	22	Hi Scr Reset	00
15	Backup Hi Scr 2	2,000,00	24	German 1 Coinage	10 Plays/5DM
			51	Deutsch Text	Deutsch

53 Install German 1

The operator can modify the game pricing selection of Standard Setting 09 in the **Pricing Table** to permit Credit Award play with 10 games for 5 DM. Individual Adjustments are affected, as follows:

<u>Ad</u>	<u>Name</u>	<u>New Setting</u>	<u>Ad</u>	<u>Name</u>	<u>New Setting</u>
06	Replay Award	Credit	17	Backup Hi Scr 4	1,000,000
07	Special Award	Credit	18	Hi Scr 1 Credits	03
08	Match Feature	On	19	Hi Scr 2 Credits	00
14	Backup Hi Scr 1	2,500,000	20	Hi Scr 3 Credits	00
15	Backup Hi Scr 2	2,000,000	21	Hi Scr 4 Credits	00
16	Backup Hi Scr 3	1,500,000	24	German 1 Coinage	10 Plays/5DM

54 Install German 2

The operator can modify the game pricing selection of Standard Setting 09 in the **Pricing Table** to permit Ticket/Token operation with 10 games for 5 DM. Individual Adjustments are affected, as follows:

GAME ADJUSTMENT PROCEDURE (Continued)

54 Install German 2 (Continued)

<u>Ad</u>	<u>Name</u>	<u>New Setting</u>	<u>Ad</u>	<u>Name</u>	<u>New Setting</u>
06	Replay Award	Coil	17	Backup Hi Scr 4	1,000,000
07	Special Award	Ball	18	Hi Scr 1 Credits	03
08	Match Feature	On	19	Hi Scr 2 Credits	00
14	Backup Hi Scr 1	2,500,000	20	Hi Scr 3 Credits	00
15	Backup Hi Scr 2	2,000,000	21	Hi Scr 4 Credits	00
16	Backup Hi Scr 3	1,500,000	24	German 1 Coinage	10 Plays/5DM

55 Install German 3

The operator can modify the game pricing selection of Standard Setting 09 in the **Pricing Table** to permit Keyset Mode operation with 10 games for 5 DM. Individual Adjustments are affected, as follows:

<u>Ad</u>	<u>Name</u>	<u>New Setting</u>	<u>Ad</u>	<u>Name</u>	<u>New Setting</u>
06	Replay Award	Audit	17	Backup Hi Scr 4	00
07	Special Award	Score	18	Hi Scr 1 Credits	00
08	Match Feature	Off	19	Hi Scr 2 Credits	00
14	Backup Hi Scr 1	00	20	Hi Scr 3 Credits	00
15	Backup Hi Scr 2	00	21	Hi Scr 4 Credits	00
16	Backup Hi Scr 3	00	24	German 1 Coinage	10 Plays/5DM

56 Install German 4

The operator can modify the game pricing selection of Standard Setting 09 in the **Pricing Table** to permit Credit Award play with 6 games for 5 DM. Individual Adjustments are affected, as follows:

<u>Ad</u>	<u>Name</u>	<u>New Setting</u>	<u>Ad</u>	<u>Name</u>	<u>New Setting</u>
06	Replay Award	Credit	17	Backup Hi Scr 4	1,000,000
07	Special Award	Credit	18	Hi Scr 1 Credits	03
08	Match Feature	On	19	Hi Scr 2 Credits	00
14	Backup Hi Scr 1	2,500,000	20	Hi Scr 3 Credits	00
15	Backup Hi Scr 2	2,000,000	21	Hi Scr 4 Credits	00
16	Backup Hi Scr 3	1,500,000	24	German 2 Coinage	6 Plays/5DM

57 Install German 5

The operator can modify the game pricing selection of Standard Setting 09 in the **Pricing Table** to permit Ticket/Token operation with 6 games for 5 DM. Individual Adjustments are affected, as follows:

<u>Ad</u>	<u>Name</u>	<u>New Setting</u>	<u>Ad</u>	<u>Name</u>	<u>New Setting</u>
06	Replay Award	Coil	17	Backup Hi Scr 4	1,000,000
07	Special Award	Ball	18	Hi Scr 1 Credits	03
08	Match Feature	On	19	Hi Scr 2 Credits	00
14	Backup Hi Scr 1	2,500,000	20	Hi Scr 3 Credits	00
15	Backup Hi Scr 2	2,000,000	21	Hi Scr 4 Credits	00
16	Backup Hi Scr 3	1,500,000	24	German 2 Coinage	6 Plays/5DM

58 Install German 6

The operator can modify the game pricing selection of Standard Setting 09 in the **Pricing Table** to permit Keyset Mode operation with 6 games for 5 DM. Individual Adjustments are affected, as follows:

GAME ADJUSTMENT PROCEDURE (Continued)

58 Install German 6 (Continued)

<u>Ad</u>	<u>Name</u>	<u>New Setting</u>	<u>Ad</u>	<u>Name</u>	<u>New Setting</u>
06	Replay Award	Audit	17	Backup Hi Scr 4	00
07	Special Award	Score	18	Hi Scr 1 Credits	03
08	Match Feature	Off	19	Hi Scr 2 Credits	00
14	Backup Hi Scr 1	00	20	Hi Scr 3 Credits	00
15	Backup Hi Scr 2	00	21	Hi Scr 4 Credits	00
16	Backup Hi Scr 3	00	24	German 2 Coinage	6 Plays/5DM

59 Install Add-A-Ball

The operator can utilize this option to delete all Free Play awards and replace them with Extra Ball awards. Individual Adjustments are affected, as follows:

<u>Ad</u>	<u>Name</u>	<u>New Setting</u>	<u>Ad</u>	<u>Name</u>	<u>New Setting</u>
06	Replay Award	Ball	19	Hi Scr 2 Credits	00
07	Special Award	Ball	20	Hi Scr 3 Credits	00
08	Match Feature	Off	21	Hi Scr 4 Credits	00
18	Hi Scr 1 Credits	00			

60 Install 5 Ball

The operator can change the game to 5-Ball play, including the changing of certain features to the recommended 5-Ball play difficulty level. Individual Adjustments are affected, as follows:

<u>Ad</u>	<u>Name</u>	<u>New Setting</u>
02	Replay Start	3,500,000
09	Balls / Game	05

61 Install Novelty

The operator can remove all Free Play and Extra Ball awards. Individual Adjustments are affected, as follows:

<u>Ad</u>	<u>Name</u>	<u>New Setting</u>	<u>Ad</u>	<u>Name</u>	<u>New Setting</u>
01	Fixed Replay		08	Match Feature	Off
02	Replay Level 1	Off	11	No Extra Ball	No
03	Replay Level 2	Off	18	Hi Scr 1 Credits	00
04	Replay Level 3	Off	19	Hi Scr 2 Credits	00
05	Replay Level 4	Off	20	Hi Scr 3 Credits	00
06	Replay Award	Audit	21	Hi Scr 4 Credits	00
07	Special Award	Score			

62 Install Extra Easy

The operator can change the game play difficulty adjustments to a combination that is extremely easy (sometimes called "liberal"). Individual Adjustments are affected, as follows:

<u>Ad</u>	<u>Name</u>	<u>New Setting</u>	<u>Ad</u>	<u>Name</u>	<u>New Setting</u>
31	Solar V. Advance	99,000	40	Solar Timer	20 sec
32	Bon. Mult. Memory	Yes	41	Energy Auto Ad.	50 (%)
33	S. Eject Memory	Yes	42	Energy Timer	15 sec
34	Planets Memory	Yes	43	S. Eject No Auto	off (No Auto)
35	Ex. Ball Memory	Yes	44	S. Eject Untimed	Untimed
36	Chest Memory	Yes	45	Reach Auto Ad.	10 (%)
37	D. T. Auto Ad.	40 (%)	46	Reach Special	SATURN
38	D. T. Timer	15 sec	47	Consol. Ex. Ball	Yes
39	Solar Auto Ad.	20 (%)			

GAME ADJUSTMENT PROCEDURE (Continued)

63 Install Easy

The operator can change the game play difficulty adjustments to a combination that is slightly easier than the Factory Settings. Individual Adjustments are affected, as follows:

<u>Ad</u>	<u>Name</u>	<u>New Setting</u>	<u>Ad</u>	<u>Name</u>	<u>New Setting</u>
31	Solar V. Advance	75,000	40	Solar Timer	20 sec
32	Bon. Mult. Memory	Yes	41	Energy Auto Ad.	50 (%)
33	S. Eject Memory	Yes	42	Energy Timer	15 sec
34	Planets Memory	Yes	43	S. Eject No Auto	off (No Auto)
35	Ex. Ball Memory	Yes	44	S. Eject Untimed	Untimed
36	Chest Memory	Yes	45	Reach Auto Ad.	6 (%)
37	D. T. Auto Ad.	30 (%)	46	Reach Special	SATURN
38	D. T. Timer	15 sec	47	Consol. Ex. Ball	Yes
39	Solar Auto Ad.	20 (%)			

64 Install Medium

The operator can change the game play difficulty adjustments to a combination that matches the Factory Settings. Individual Adjustments are affected, as follows:

<u>Ad</u>	<u>Name</u>	<u>New Setting</u>	<u>Ad</u>	<u>Name</u>	<u>New Setting</u>
31	Solar V. Advance	50,000	40	Solar Timer	20 sec
32	Bon. Mult. Memory	No	41	Energy Auto Ad.	40 (%)
33	S. Eject Memory	Yes	42	Energy Timer	15 sec
34	Planets Memory	Yes	43	S. Eject No Auto	off (No Auto)
35	Ex. Ball Memory	Yes	44	S. Eject Untimed	Untimed
36	Chest Memory	Yes	45	Reach Auto Ad.	4 (%)
37	D. T. Auto Ad.	20 (%)	46	Reach Special	JUPITER
38	D. T. Timer	15 sec	47	Consol. Ex. Ball	Yes
39	Solar Auto Ad.	20 (%)			

65 Install Hard

The operator can change the game play difficulty adjustments to a combination that is more difficult than the Factory Settings. Individual Adjustments are affected, as follows:

<u>Ad</u>	<u>Name</u>	<u>New Setting</u>	<u>Ad</u>	<u>Name</u>	<u>New Setting</u>
31	Solar V. Advance	30,000	40	Solar Timer	20 sec
32	Bon. Mult. Memory	No	41	Energy Auto Ad.	30 (%)
33	S. Eject Memory	No	42	Energy Timer	15 sec
34	Planets Memory	Yes	43	S. Eject No Auto	off (No Auto)
35	Ex. Ball Memory	Yes	44	S. Eject Untimed	Untimed
36	Chest Memory	Yes	45	Reach Auto Ad.	4 (%)
37	D. T. Auto Ad.	20 (%)	46	Reach Special	JUPITER
38	D. T. Timer	15 sec	47	Consol. Ex. Ball	Yes
39	Solar Auto Ad.	20 (%)			

GAME ADJUSTMENT PROCEDURE (Continued)

66 Install Extra Hard

The operator can change the game play difficulty adjustments to a combination that is much more difficult than the Factory Settings. Individual Adjustments are affected, as follows:

<u>Ad</u>	<u>Name</u>	<u>New Setting</u>	<u>Ad</u>	<u>Name</u>	<u>New Setting</u>
31	Solar V. Advance	25,000	40	Solar Timer	20 sec
32	Bon. Mult. Memory	No	41	Energy Auto Ad.	10 (%)
33	S. Eject Memory	No	42	Energy Timer	15 sec
34	Planets Memory	No	43	S. Eject No Auto	off (No Auto)
35	Ex. Ball Memory	Yes	44	S. Eject Untimed	Untimed
36	Chest Memory	No	45	Reach Auto Ad.	4 (%)
37	D. T. Auto Ad.	10 (%)	46	Reach Special	MARS
38	D. T. Timer	10 sec	47	Consol. Ex. Ball	Yes
39	Solar Auto Ad.	20 (%)			

67 Auto Burn-in

The operator can choose the YES option for this Special Preset Adjustment to perform certain automatic testing of the game, as used in the factory. It does not affect the game operation, but merely provides for a cyclic testing of most of the game's mechanisms.

68 Clear Coins

The operator can request the clearing of the coinage audits (Au 01 through 04) by selecting (via the Credit button) the YES option, as shown in the player 4 display. This adjustment zeroes the counters tallying the number of coins through each slot, the Paid Credits counter, and the Credits display.

After the YES option is displayed, the operator must press the ADVANCE button. The game then displays COINS CLEARED.

69 Clear Audits

The operator can request the clearing of the non-coinage audits (Au 05 through 38) by selecting (via the Credit button) the YES option, as shown in the player 4 display. This Adjustment zeroes the counters tallying the remaining Audit factors. Please note that this does NOT affect the Automatic Replay Percentaging data nor the automatic High Score Reset counter.

After the YES option is displayed, the operator must press the ADVANCE button. The game then displays AUDITS CLEARED.

70 Install Factory

The operator can request the game to provide the normal Factory Settings to restore the game to its 'factory condition'. This Adjustment clears all Audits, resets all Game Adjustments to the respective Factory Settings, and provides a restart of the Auto Replay (Ad 01).

After the YES option is displayed, the operator must press the ADVANCE button. The game then displays FACTORY SETTING.

Closing of the coin door before appearance of the FACTORY SETTING message or a problem in the Memory Protect circuit will cause the game to display ADJUST FAILURE.

A loss of battery power or improper treatment of the Game Adjustments will cause the game to attempt to restore Factory Settings. The game announces the results of this reset process with the appropriate message, FACTORY SETTING or ADJUST FAILURE.

RESETTING THE HIGH SCORES

The challenge of exceeding the High Score (either the factory setting or a higher score by another player) is the goal of many pinball game players. To keep a pinball game challenging requires a method of resetting the High Score value for those occasions when a skilled player registers a truly excellent score. Other players note this score and may decide not to play simply because their skill is not adequate to exceed an extremely high score.

For *PIN-BOT*, in fact, three methods of resetting the High Score values are available. The simplest method involves allowing Game Adjustment Item Ad 22 to reset the High Score values automatically after the specified number of plays designated by the operator. The second method requires pressing the High Score Reset switch on the inside of the coin door in the Attract Mode. This action simply erases the previous high score values and replaces them with the Backup High Score values. The third method establishes new values replacing the factory setting values or previous operator setting values; it requires performing the following steps:

1. Using AUTO-UP or MANUAL-DOWN, reach item Ad 14 (and items Ad 15, 16, and 17, if desired). The High Score value of the factory setting (or previous operator-adjusted setting) appears in the player 1 display. If this value is satisfactory, go to step 4 below.
2. If you wish to increase the High Score value from that displayed in the player 1 display, use AUTO-UP, and press the Credit button, until the desired value shows in the player 1 display.
3. If you wish to decrease the High Score value, use MANUAL-DOWN, and press the Credit button, until the desired value shows in the player 1 display.
4. Using AUTO-UP, press and hold down ADVANCE, until the Credits display shows Ad and the BALL IN PLAY/MATCH display shows item 70. Press ADVANCE once, to return to Game-Over Mode.
5. Press the High Score Reset switch (on coin door), and listen for the sound signifying that the score reset action is complete. Observe player score displays (player 1, player 2, etc.) to verify that the new High Score values are displayed.

GAME PRICING

PRICING MADE EASY. Game Adjustment Item Ad 24 allows the operator an easy method of setting the pricing functions. If the operator enters a "Standard Setting" number (from 01 to 16) into Adjustment Item 24, each of the other pricing items (25 through 30) changes to the value shown in the *Pricing Table* for that selected "Standard Setting".

CUSTOM PRICING. Adjustment Item 24 must be set to the Custom Coinage Setting (player 1 and 2 displaying CUSTOM COINAGE) to enable the operator to enter desired custom pricing selections for Items 25 through 30, based on the *Pricing Table*. Item 25 is the left coin chute multiplier. Item 26 is the center coin chute multiplier. Item 27 is the right coin chute multiplier. Item 28 is the number of coin units equal to one Credit. (A Credit is usually equal to one game.)

The calculation of the ratio of Games : Price uses the ratio equation of $X : VC$, where:

X = Coin Chute Multiplier (Item 25, 26, or 27 in *Pricing Table*);

V = Value of coin;

C = Coin units equivalent to one Credit (Item 28).

For example, for 25¢ chutes at the factory setting, substituting values in the Games : Price ratio calculation gives $1 : 25 \times 1$, or one game for 25¢.

UNITS REQUIRED FOR BONUS CREDIT. Item 29 is the number of coin units that must pass through the coin chute(s) before an additional Credit (game) is posted (displayed). At the factory setting, the number in this item is 00. (This 00 means that NO bonus credit (free game) is awarded, although purchase of more than one game at a time occurs.)

GAME PRICING (Continued)

MINIMUM COIN UNITS. Item 30 determines the number of coin units that must pass through the coin chute(s) before play may begin. The factory setting for this item is 00. (This 00 means that the Minimum Coin Units feature (Item 30) is disabled, by the factory setting.)

PIN-BOT Pricing Table

Country	Coin Chute			Games/Coin	Pricing Functions							
	Left	Center	Right		24	25	26	27	28	29	30	
USA and Canada	25¢	-	25¢	1/25¢, 4/\$1 ^{1,2}	01	01	04	01	01	00	00	
				1/50¢, 2/\$1 ²	03	01	04	01	02	00	00	
				2/25¢, 8/\$1	00	02	00	02	01	00	00	
				1/25¢, 3/50¢, 6/\$1 ²	04	01	04	01	01	02	00	
				1/25¢, 5/\$1	00	01	00	01	01	04	00	
				1/50¢, 3/\$1 ²	02	01	04	01	02	04	00	
West Germany	1 DM	2 DM	5 DM	1/1 DM, 3/2 DM, 10/5 DM ^{2,3}	09	09	18	45	05	45	00	
				1/1 DM, 2/2 DM, 6/5 DMark ²	10	06	12	30	05	00	00	
				1/1 DM, 3/2 DM, 9/5 DM	00	09	18	45	05	00	00	
				1/2x1 DM, 1/2 DM, 3/5 DM ²	11	03	06	15	05	00	00	
				2/1 DM, 5/2 DM, 14/5 DM ²	12	13	26	65	05	65	00	
				Ticket/Token Mode ⁴ Keyset Mode ⁴								
France	1 F	5 F	10 F	1/3x1 F, 2/5 F, 5/10 Franc ²	13	02	10	20	05	20	00	
Antilles (Netherlands)	25¢	-	1 G	1/25¢, 4/1 Guilder	00	01	01	04	01	00	00	
Netherlands	25¢	-	1 G	1/25¢, 5/1 Guilder	00	01	00	05	01	00	00	
Belgium	5 F	-	20 F	1/2x5 F, 2/20 Franc ²	08	01	01	04	02	00	00	
	5 F	5 F	20 F	1/2x5 F, 1/2x5 F, 2/20 F ²	08	01	01	04	02	00	00	
	5 F	20 F	20 F	1/2x5 F, 2/20 F, 2/20 F ²	00	01	04	04	02	00	00	
Spain	25 P	-	100P	1/25 P, 5/100 Peseta ²	15	01	00	05	01	00	00	
Switzerland	1 F	2 F	5 F	1/1 F, 3/2 F, 7/5 Franc	00	02	06	14	02	00	00	
	1 F	-	2 F	1/1 F, 3/2 F ²	07	03	00	06	02	00	00	
Japan	100 ¥	-	100 ¥	2/100 Yen	00	04	00	04	02	00	00	
	-	100 ¥	-	2/100 ¥ ²	16	01	04	01	02	00	00	
Italy	100 L	-	100 L	1/200 Lire ²	14	01	04	01	02	00	00	
Australia	20¢	-	\$1	1/2x20 ¢, 3/\$1 ²	05	01	00	06	02	00	00	
United Kingdom	10 P	50 P	20 P	1/10 P, 5/50 P, 2/20 Pence	00	01	05	02	01	00	00	
	10 P	50 P	10 P	1/10 P, 5/50 P ²	06	01	05	01	01	00	00	
Argentina	10¢	10¢	10¢	1/1 Token	00	01	01	01	01	00	00	
Austria	5 Sch	-	10 Sch	2/5 Sch, 5/10 Schilling	00	02	00	05	01	00	00	
	1 Sch	5 Sch	10 Sch	2/5x1 Sch, 2/5 Sch, 5/10 Sch	00	02	10	25	05	00	00	
Chile	Token	-	Token	1/1 Token ^{1,2}	01	01	04	01	01	00	00	
Denmark	1 Kr	5 Kr	10 Kr	1/2x1 Kr, 3/5 Kr, 7/10 Krone	00	01	06	14	02	00	00	
Finland	1 Mka	-	1 Mka	1/1 Markka ^{1,2}	01	01	04	01	01	00	00	
New Zealand	20¢	-	20¢	1/2x20¢ ²	03	01	04	01	02	00	00	
Norway	1 Kr	-	1 Kr	1/2x1 Kr, 3/5x1 Krone	00	01	00	01	02	05	00	
Sweden	1 Kr	-	1 Kr	1/2x1 Krona ²	03	01	04	01	02	00	00	

Notes: 1. Factory Default. 2. Standard Setting - Adjust setting of Item 24 ONLY. 3. Default with jumper W7 cut/removed. 4. Other functions are also affected; see the explanations for Adjustment items 53 through 58.

TEST/DIAGNOSTIC PROCEDURES

WILLIAMS ELECTRONICS GAMES provides a series of diagnostic tests to aid the operator in determining game condition (that is, whether the game's features and highlights are operating satisfactorily). These tests activate virtually all the electronic and electromechanical devices comprising the game, so that the operator can readily locate a malfunctioning device or simply verify that all devices are working properly. In order, these tests deal with the music, the displays, the game sounds, the lamps, the solenoids, and the switches.

In addition to the diagnostic testing, a feature called the Auto Burn-in Mode is available. Activating this mode enables the operator to observe the game while all of the diagnostic tests, *except the switch test*, occur. This can be very helpful in locating intermittent problems.

Activating either the entire test series or one of the individual tests requires use of the Game Adjustment/ Diagnostic switches. Open the coin door for access to these switches. To proceed to the Diagnostic Tests, the operator must simply switch the game On, set the AUTO-UP/MANUAL-DOWN switch to MANUAL-DOWN, and press the ADVANCE button.

CAUTION

*PIN•BOT's System 11 game program has a new capability to aid the operator and service personnel: When the operator is beginning the Test/Diagnostic Procedures (and also at game Turn-On), a display now signals when a switch has NOT been actuated during ball play for a lengthy period of time (60 balls, or 20 games). However, for the Switch Problem Reporting activity at the beginning of the Test/Diagnostic Procedures, the display of problem switches is *not* limited to just three switches; it now includes *ALL* switches exhibiting problems. Refer to the text on Switch Tests for additional information. To proceed with the Test/Diagnostic Procedures, use AUTO-UP, and press ADVANCE.*

MUSIC TEST.

1. In the Music Test, observe that the player 1 and 2 displays show the message, MUSIC TEST. Switching to AUTO-UP, observe that the message now reads MUSIC OFF, and that the BALL IN PLAY/MATCH display shows 00. Press the Credit button to select the desired music selection: 01 - 'Game Theme' through 07 - 'Hi. Score Theme' (the selections repeat). Adjust the volume control for proper sound level for the game location.
2. Use the AUTO-UP position.

DISPLAY TEST.

1. To initiate the Display Test, press ADVANCE. Observe that player 1 and 2 displays briefly show the message, DISPLAY TEST, and that the Credits display shows 00 (the Display Test identifier).
2. Use AUTO-UP. Observe that all displays begin a display cycle of all 0s through all 9s, one digit at a time. Verify that the proper comma segments light during display of the odd-numbered digits. Next, a special "all segments" character 'walks' from left to right across each display (player 1, 2, 3, 4, BALL IN PLAY/MATCH, Credits).
3. To halt the display cycle, use MANUAL-DOWN. Then, press ADVANCE to step through the sequential digit display, digit by digit, and the subsequent "all segments" characters display test. Use AUTO-UP to resume cycling, and to proceed to the next test.

SOUND TEST.

1. (From Display Test) To initiate the Sound Test, press ADVANCE. Observe that the player 1 and 2 displays show the message, SOUND TEST, and that the Credit display shows 01 (the Sound Test identifier). The BALL IN PLAY/MATCH display shows a series of test steps from 00 through 07. Verify that a different sound is heard each time the number in the BALL IN PLAY/MATCH display changes.

TEST/DIAGNOSTIC PROCEDURES (Continued)

SOUND TEST (Continued)

2. To repeatedly pulse a single sound, use MANUAL-DOWN. Verify that one particular sound repeats. Press ADVANCE to step to the next sound, which repeats until ADVANCE is pressed again. Use AUTO-UP to resume cycling the sounds, and to proceed to the next test.

LAMP TESTS.

1. All Lamps.

(From Sound Test) To initiate the first Lamps Test, press ADVANCE. Observe that the player 1 and 2 displays show the message, ALL LAMPS, and that the Credit display shows 02 (All Lamps Test identifier) and that all feature lamps (playfield and backbox) blink on and off. (Note, however, that the General Illumination lamps remain lighted steadily.) To locate the wiring associated with a particular feature lamp, refer to the **Lamp-Matrix Table**. CPU Board connections at jacks 1J6 (columns) and 1J7 (rows) are also listed in the table.

2. Single Lamps.

From the All Lamps test, using AUTO-UP, press ADVANCE to enable PIN•BOT to initiate the Single Lamps Test. The player 1 and 2 displays initially show the message, SINGLE LAMPS, and the Credit display shows 03. Then, the BALL IN PLAY/ MATCH display shows 01 and the player 1 and 2 displays show GAME OVER, the name of the lamp currently blinking. Press the Credit button to proceed through an ascending series of designator numbers (01 through 64), with the player 1 and 2 displays showing the individual lamp's name. Press and hold the Credit button to proceed rapidly to the desired lamp.

2 Double Lamp

PIN•BOT Lamp-Matrix Table

Δ - #555 Bulb, p/n 24-8767
Remaining Lamps - #44 Bulb, p/n 24-6549

COLUMN ROW	1 Q66 YEL-BRN 1J7-1	2 Q64 YEL-RED 1J7-2	3 Q62 YEL-ORN 1J7-3	4 Q60 YEL-BLK 1J7-4	5 Q58 YEL-GRN 1J7-6	6 Q56 YEL-BLU 1J7-7	7 Q54 YEL-VIO 1J7-8	8 Q52 YEL-GRY 1J7-9
Q80 1 RED-BRN 1J6-1	Game Over (Backbox) 2 1	2X 9	Drop Targets' Single Timer Lamp 17	Earth 25	Shoot Again (Playfield) 33	Drop Targets' Top Lamp 41	Left Outline Extra Ball 49	Right Outline Extra Ball 57
Q81 2 RED-BLK 1J6-2	Match (Backbox) 2	3X 10	Advance Planet 18	Venus 26	Score ENERGY 34	Drop Targets' Middle Lamp 42	Left Return Extra Ball 50	Right Return Extra Ball 58
Q82 3 RED-ORN 1J6-3	Ball In Play (Backbox) 3	4X 11	Pluto 19	Mercury 27	Solar Energy Value 35	Drop Targets' Bottom Lamp 43	Special 51	Not Used 59
Q83 4 RED-YEL 1J6-5	Mouth 1 (Backbox Left) 4	5X 12	Neptune 20	Yellow 1 (Top) 28	Blue 1 (Top) 36	Amber 1 (Top) 44	Green 1 (Top) 52	Red 1 (Top) 60
Q84 5 RED-GRN 1J6-6	Mouth 2 (Backbox) 5	Single Eject's 25K 13	Uranus 21	Yellow 2 29	Blue 2 37	Amber 2 45	Green 2 53	Red 2 61
Q85 6 RED-BLU 1J6-7	Mouth 3 (Backbox) 6	Single Eject's 50K 14	Saturn 22	Yellow 3 30	Blue 3 38	Amber 3 46	Green 3 54	Red 3 62
Q86 7 RED-VIO 1J6-8	Mouth 4 (Backbox) 7	Single Eject's 75K 15	Jupiter 23	Yellow 4 31	Blue 4 39	Amber 4 47	Green 4 55	Red 4 63
Q87 8 RED-GRY 1J6-9	Mouth 5 (Backbox Right) 8	Single Eject's Light Extra Ball 16	Mars 24	Yellow 5 (Bottom) 32	Blue 5 (Bottom) 40	Amber 5 (Bottom) 48	Green 5 (Bottom) 56	Red 5 (Bottom) 64

TEST/DIAGNOSTIC PROCEDURES (Continued)

SOLENOID TEST.

1. (From Lamp Test) Using AUTO-UP, press ADVANCE. Observe that the player 1 and 2 displays show the message, COIL TEST, the Credit display shows 04 (Solenoid Test identifier). Next, the BALL IN PLAY/ MATCH display shows a series of test steps from 01 through 22, while the player 1 and 2 displays show the name of the solenoid. During each of these steps, pulsing of the respective solenoid occurs. The test cycles repeatedly, unless halted via the MANUAL-DOWN switch. Refer to the **Solenoid Table** for solenoid numbers and wiring information. CPU Board connections at 1P11, 1P12, and 1P19 are also listed in the table.

To continuously pulse a single solenoid, use MANUAL-DOWN. Press ADVANCE to sequence through the switched, controlled, and special solenoids. Use AUTO-UP to resume test cycling, and to proceed to the next test.

PIN-BOT Solenoid Table

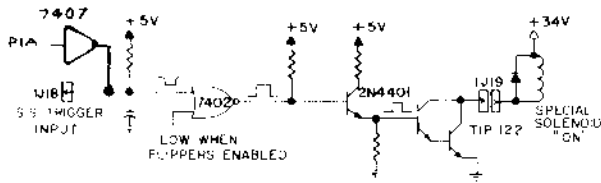
Sol. No.	Function	Solenoid Type	Wire Color ¹	Connections		Driver Trans.	Solenoid Part No.
				CPU Bd.	Playfield/Cabinet		
01A ³	Outhole	Switched	{Vio-Brn}	1P11-1	8P3-1 (to B1 on Diode Sw. Bd.)	Q33	AE-23-800-01
01C ³	Knocker	Switched	{Blk-Brn}	(Gry-Brn)		Q33	AE-23-800-02
02A ³	Ball Trough Feeder	Switched	{Vio-Red}	1P11-3	8P3-2 (to B2 on Diode Sw. Bd.)	Q25	AE-23-800-03
02C ³	Upper P'fld & "Top" Flashers (2)	Switched	{Blk-Red}	(Gry-Red)		Q25	#89 flashlamps
03A ³	Single Eject Hole	Switched	{Vio-Orn}	1P11-4	8P3-3 (to B3 on Diode Sw. Bd.)	Q32	AE-23-800-03
03C ³	Left Insert Bd. Flasher	Switched	{Blk-Orn}	(Gry-Orn)		Q32	#89 flashlamps
04A ³	Drop Target (3-Bank)	Switched	{Vio-Yel}	1P11-5	8P3-4 (to B4 on Diode Sw. Bd.)	Q24	AE-23-800-04
04C ³	Right Insert Bd. Flasher	Switched	{Blk-Yel}	(Gry-Yel)		Q24	#89 flashlamps
05A ³	Ramp Raise	Switched	{Vio-Grn}	1P11-6	8P3-5 (to B5 on Diode Sw. Bd.)	Q31	AE-24-900-02
05C ³	Lower P'fld & "Top" Flashers (1)	Switched	{Blk-Grn}	(Gry-Grn)		Q31	#89 flashlamps
06A ³	Ramp Lower (Outer)	Switched	{Vio-Blu}	1P11-7	8P3-6 (to B6 on Diode Sw. Bd.)	Q23	SM-26-600-DC
06C ³	Energy Flashers	Switched	{Blk-Blu}	(Gry-Blu)		Q23	#89 flashlamps
07A ³	Left Eject Hole (Visor)	Switched	{Vio-Vio}	1P11-8	8P3-7 (to B7 on Diode Sw. Bd.)	Q30	AE-23-800-03
07C ³	Left Playfield Flasher	Switched	{Blk-Vio}	(Gry-Vio)		Q30	#89 flashlamps
08A ³	Right Eject Hole (Visor)	Switched	{Vio-Gry}	1P11-9	8P3-8 (to B8 on Diode Sw. Bd.)	Q22	AE-23-800-03
08C ³	Sun Flasher	Switched	{Blk-Gry}	(Gry-Blk)		Q22	#89 flashlamps
09	Robot Face - Insert Bd.	Controlled	Brn-Blk	1P12-1	8P3-9	Q17	#1251 flashlamps
10	Right Visor - Gen. Illumin.	Controlled	Brn-Red	1P12-2	8P3-10	Q9	#1251 flashlamps
11	General Illumin. - Insert Bd.	Controlled	Brn-Orn	1P12-4	8P3-12	Q16	5580-09555-01 ⁴
12	General Illumin. - Playfield	Controlled	Brn-Yel	1P12-5	3P7-1	Q8	5580-09555-01 ⁴
13	Visor Motor	Controlled	Brn-Grn	1P12-6	8P3-13	Q15	5580-09555-01 ⁴
14	Solenoid Select Relay	Controlled	Brn-Blu	1P12-7	8P3-14	Q7	5580-09555-01 ⁴
15	"Top" Flashers (3)	Controlled	Brn-Vio	1P12-8	8P3-15	Q14	#89 flashlamps
16	"Top" Flashers (4, center)	Controlled	Brn-Gry	1P12-9	8P3-16	Q6	#89 flashlamps
17	Lower Jet Bumper	Special #1	Blu-Brn	1P19-7	8P3-17	Q75	AE-23-800-03
18	Left Visor Gen. Illumin.	Special #2	Blu-Red	1P19-4	8P3-18	Q71	#1251 flashlamps
19	Left Jet Bumper	Special #3	Blu-Orn	1P19-3	8P3-19	Q73	AE-23-800-03
20	Left Kicker	Special #4	Blu-Yel	1P19-6	8P3-20	Q69	AE-23-800-03
21	Right Kicker	Special #5	Blu-Grn	1P19-8	8P3-21	Q77	AE-23-800-03
22	Upper Jet Bumper	Special #6	Blu-Blk	1P19-9	8P3-22	Q79	AE-23-800-03
-	Right Flipper	-	Orn-Vio {Blu-Vio}	1P19-1	7P1-20 [7J1-21,8P3-34] ²	-	FL23/600-30/2600-50VDC
-	Left Flipper	-	Orn-Gry {Blu-Gry}	1P19-2	7P1-23 [7J1-24,8P3-32] ²	-	FL23/600-30/2600-50VDC

Notes: 1. Wire colors, except flipper Orn-Vio and Orn-Gry, are ground connections (to coil terminal with unbanded end of diode). Flipper Orn-Vio and Orn-Gry wires connect from CPU Board to flipper switch. 2. Flipper connections shown in braces are from flipper switch to flipper coil. 3. "A" coils are pulsed, when Sol. 14 is de-energized; "C" coils are pulsed, with Sol. 14 energized. Wire colors in brackets are those from respective A and C terminals corresponding to the B terminal connection listed for the Diode Switching Board, which controls the device pulsing by Sol. 14. 4. Relay (p/n 5580-09555-01) is mounted on Relay Snubber Ckt. Bd. p/n C-11232-1.

TEST/DIAGNOSTIC PROCEDURES (Continued)

SOLENOID TEST (Continued)

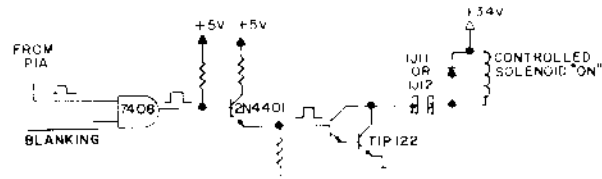
"On" State Logic - Special Solenoid



"Off" State - Special Solenoid:

The Special Switch Trigger Input goes low. Meanwhile, the PIA line remains high. The remaining signals reverse their states.

"On" State Logic - Controlled Solenoid



"Off" State - Controlled Solenoid:

The Enable Input (from the PIA) goes low. Meanwhile, the BLANKING signal remains high. The rest of the signals reverse their states.

NOTE

As directed by the game program, the Solenoid Select Relay (solenoid 14) switches the solenoid B+ power between two power busses to permit actuating two groups of solenoids at the proper times. In its de-energized state, the Relay connects the 'circuit A power' to 16 "controlled" and "switched" solenoids (identified in the table with no suffix letter or the letter A, after the solenoid number). Individual solenoid operation then depends on the game program enabling the ground path for solenoid actuation via the driver transistor associated with each solenoid circuit. For example, the game program can actuate the Ramp Raise solenoid (sol. 05A), via the driver transistor Q31.

When the game program determines that the Relay (sol. 14) must be energized, the relay then connects 'circuit C power' to eight group C solenoids (01C through 08C). Now, driver transistor Q31 can actuate the Lower Playfield and Backbox Flashers (sol. 05C). Using this "multiplexing" technique, the same driver transistor can control actuation of two separate solenoids.

SWITCH TESTS.

1. Switch Levels.

(From Solenoid Test) To initiate the Switch Levels Test, press ADVANCE. Observe that the player 1 and 2 displays show the message, SWITCH LEVELS, the Credit display shows 05 (Switch Levels Test identifier), and the BALL IN PLAY/MATCH display is blank, indicating that no switch is actuated.

If, however, a switch *is* actuated (possibly stuck closed), the BALL IN PLAY/MATCH display shows that switch's number, while the player 1 and 2 displays indicate the switch's name. A sound also accompanies the displays. (This is another facet of the new *PIN•BOT System-11* switch testing capability.) If more than one switch is closed, each switch's name and number becomes a member of a series of displays, each showing the switches' names and numbers.

(In addition, either of these problems could result in the reporting of a switch problem (or problems) at game Turn-On or at the beginning of Diagnostic Tests.)

As soon as the operator opens a closed switch, its name and number are eliminated from the Switch Levels display series. For *PIN•BOT*, switch numbers can range from 01 through 48. Refer to the **Switch-Matrix Table** for switch numbers and wiring information. CPU Board connections at jacks 1J8 (columns) and 1J10 (rows) are also listed in the table.

Row Problems. If a display of two (or more) switch numbers of a row occurs, although only one switch is closed, check for a short circuit between the column wires.

Multiple Switch Number Indications. Check the associated column wire for a short circuit to ground.

TEST/DIAGNOSTIC PROCEDURES (Continued)

SWITCH TESTS (Continued).

Column Problems. If display of two (or more) switch numbers in a column occurs (while only one switch is actuated), check for a short circuit between the row wires.

Use AUTO-UP to proceed to the next test.

2. Switch Edges.

From the Switch Levels Test, press ADVANCE. Observe that the player 1 and 2 displays show the message, SWITCH EDGES, the Credit display shows 06 (Switch Edges Test identifier), and the BALL IN PLAY/MATCH display is blank, indicating that no switch is actuated.

This test permits the operator to test whether actuating a switch provides the proper signal to the System-11 switch testing program. When actuating a switch, the operator should see the switch's name and number (in the player 1 and 2, and the BALL IN PLAY/MATCH displays, respectively). If no indication appears at the time the switch is actuated, the operator then knows that there is a malfunction associated with that switch.

PIN•BOT Switch-Matrix Table

COLUMN \ ROW	1 Q45 GRN-BRN 1J8-1	2 Q48 GRN-RED 1J8-2	3 Q44 GRN-ORN 1J8-3	4 Q48 GRN-YEL 1J8-4	5 Q43 GRN-BLK 1J8-5	6 Q47 GRN-BLU 1J8-7	7 Q42 GRN-VIO 1J8-8	8 Q46 GRN-GRY 1J8-9
1 WHT- BRN 1J10-9	Plumb Bob Tilt 1	Playfield Tilt 9	Ball Trough #1 (Lower Right) 17	Left Eject 25	Right 5-Bank (Top) 33	Not Used 41	Left Drop Target (Upper) 49	Not Used 57
2 WHT- RED 1J10-8	Ball Roll Tilt 2	Left Lane Change 10	Ball Trough #2 (Center) 18	Right Eject 26	Right 5-Bank 34	Not Used 42	Left Drop Target (Mid) 50	Not Used 58
3 WHT- ORN 1J10-7	Credit Button 3	Right Lane Change 11	Advance Planet 19	Not Used 27	Right 5-Bank (Center) 35	Not Used 43	Left Drop Target (Lower) 51	10 Point 59
4 WHT- YEL 1J10-6	Right Coin Chute 4	Left Outlane 12	Shooter Lane 20	Visor Target 1 (Left) 28	Right 5-Bank 36	Ramp Down 44	Top Jet Bumper 52	10 Point 60
5 WHT- GRN 1J10-5	Center Coin Chute 5	Left Return Lane 13	Not Used 21	Visor Target 2 29	Right 5-Bank (Bottom) 37	Score Energy 45	Bottom Jet Bumper 53	Not Used 61
6 WHT- BLU 1J10-3	Left Coin Chute 6	Right Return Lane 14	Vortex 20K 22	Visor Target 3 (Center) 30	Single Eject 38	Visor Closed 46	Left Sling 54	Not Used 62
7 WHT- VIO 1J10-2	Slam Tilt 7	Right Outlane 15	Vortex 100K 23	Visor Target 4 31	Exit Ramp 39	Visor Open 47	Right Sling 55	Not Used 63
8 WHT- GRY 1J10-1	High-Score Reset 8	Outhole 16	Vortex 5K (Exit) 24	Visor Target 5 (Right) 32	Enter Ramp 40	Left Jet Bumper 48	10 Point 56	Not Used 64

Using this technique, the operator can test each switch appearing in the *PIN•BOT* switch problem reporting displays (either at game Turn-On or at the beginning of the Diagnostic Tests) to determine whether the switch can be actuated. If the switch's name and number are displayed while the operator checks its operation, the operator then knows that the reported problem with that switch is NOT currently caused by a switch malfunction. The operator can then seek other causes for the reported problem, being almost certain now that the switch did not fail. *This test is also useful when the operator is adjusting the sensitivity of a particular switch's actuation mechanism.*

TEST/DIAGNOSTIC PROCEDURES (Continued)

SWITCH TESTS (Continued).

Among the possibilities is the fact that the players have not hit that switch because of some other problem; the operator should try to analyze what could cause the switch to be missed, and remedy that problem cause. With these new tests, switch problems are, therefore, more easily isolated.

Coin Chute Switches. During the Switch Edges test, the System-11 switch testing program energizes the coin lockout relays, to prevent testing actuations of the coin chute switches from affecting the data contained in the audit counters, thereby maintaining accurate records of the game's earnings.

3. *Playfield or CPU Board?* To determine whether a switch problem is in the playfield or the CPU Board, remove connectors 1P8 and 1P10 from the CPU Board. Begin the Switch Test. Use a jumper wire to simulate switch actuation. For example, placing a jumper between 1J10-9 and 1J8-2 should (based on the **Switch-Matrix Table**) should produce an indication of switch 09 being actuated.

ENDING THE DIAGNOSTIC TESTS.

To end the Diagnostic Tests, reach the Switch Edges Test (06 in the Credits display), use AUTO-UP and press ADVANCE. The backbox displays should show the *PIN•BOT* game's Identification Information. Use MANUAL-DOWN, and press ADVANCE to reach Adjustment Item 70 (INSTALL FACTORY). Use AUTO-UP and press ADVANCE to obtain the Attract Mode.

AUTO BURN-IN MODE.

The Auto Burn-in Mode permits the operator to check intermittent (or nonrecurring) problems associated with most portions of the game's circuitry. Repeatedly cycling through a group of tests can sometimes bring a problem, which occurs only randomly or occasionally, to exhibit itself more frequently, thereby aiding in the isolation of the problem. To activate the Auto Burn-in Mode:

1. While in the Game Adjustments, reach Ad 67 and change the Factory Setting of NO to YES, via the Credit button. Set the AUTO-UP/MANUAL-DOWN switch to AUTO-UP.
2. Press ADVANCE to start the Auto Burn-in Mode. This mode repeatedly sequences through the Music Test, the Display Test, the Sound Test, the All Lamps portion of the Lamp Test, and the Solenoid Test.
3. To halt the Auto Burn-in Mode, switch the game Off and then On. *PIN•BOT* now starts in the Attract Mode. (If a switch problem is now reported by the displays, perform the Switch Tests again to determine the nature of the problem; then, perform necessary repairs.)

SYSTEM-11 MEMORY CHIP TEST.

A new feature is now included in the Memory Chip Test for System 11. During power-up, the CPU performs a self-testing routine. When all tests are satisfactory, the game proceeds to the Attract Mode, allowing players to use the game. Whenever a portion of the testing does not produce satisfactory results, the game displays a message, before proceeding to the next portion of the testing. ONLY after all tests are satisfactory does the game allow play.

In addition to the displayed message, when a test fails, the lower LED mounted on the CPU Board can be observed to determine the probable cause of the problem. The LED blinks, or flashes, a certain number of times to identify the probable cause, as described in the **CPU LED Indicator Codes Table**. The operator can also start the self-testing routine by pressing the CPU Diagnostic Switch (SW 2) on the edge of the CPU Board.

TEST/DIAGNOSTIC PROCEDURES (Continued)

PIN•BOT CPU LED Indicator Codes Table

Diagnostic LED		
Blinks/ Flashes	Display Message	Explanation
1	U25 RAM FAILURE	U25 RAM could not be used properly (NO other tests are performed; the game is locked here, until the game is turned off).
2	MEM. PROT. FAILURE	This message means that (A) the Coin Door may be shut; (B) the Memory Protect Switch may be stuck in the ON position; (C) the memory protect logic is protecting the memory; or (D) a U25 RAM failure is occurring. (See Note 1)
3	U51 PIA FAILURE	U51 has a malfunction. (See Note 2)
4	U38 PIA FAILURE	U38 has a malfunction. (See Note 2)
5	U41 PIA FAILURE	U41 has a malfunction. (See Note 2)
6	U42 PIA FAILURE	U42 has a malfunction. (See Note 2)
7	U54 PIA FAILURE	U54 has a malfunction. (See Note 2)
8	U10 PIA FAILURE	U10 has a malfunction. (See Note 2)
9	IRQ FAILURE	IRQ has a malfunction. It may be missing or too fast or too slow.
10	U27 ROM FAILURE	U27's internal checksums do not match. It may be a ROM failure, or its associated connections and connecting devices are causing it to appear to have a problem. (The following U26 test is skipped.)
11	U26 ROM FAILURE	U26's internal checksums do not match.
<p>Notes: 1. This test assumes that the Coin Door is OPEN; it is initiated ONLY by pressing the CPU Diagnostic Switch (SW2).</p> <p>2. Alternatively, its associated connections or connecting devices are causing the IC to appear to have problems.</p>		

SYSTEM-11 SOUND SECTION TEST.

Press the Sound Diagnostic Switch (SW 1) on the CPU Board. Listen for the sound, which shows that the sound circuitry is functioning properly.

NO SOUND DURING THIS TEST (but sound can be heard during the Diagnostic Tests).

Check the sound-select inputs (pins 2 through 9 of U9) to see if they pulse during Sound Test 01. Also, check the -12 V supply voltage on the CPU Board. If this voltage is low (or AC ripple seems too high), perform the following checks:

1. The gray and gray-green transformer secondary wires for 19.4 VAC.
2. The CPU Board filter capacitor C26 for -12 VDC.
3. The filter capacitor C26 for excessive AC ripple (over 0.75VAC).

If the previous checks did not isolate the problem, turn the Volume Control for maximum output. Momentarily touch a powered-up AC soldering pencil on the center tap of the Volume Control.

CAUTION

DO NOT use a soldering iron over 40 watts. Note also that cordless soldering irons will NOT work for this test.

Hearing a low hum indicates that the power amplifier (U1, TDA2002), the Volume Control, and the speaker are operating satisfactorily, as is the sound circuit cabling. Not hearing a hum requires repeating the test with the Volume Control turned part way down, to determine whether the Volume Control is faulty. Also, check the cable connectors for proper mating, and that no broken wires affect this circuit.

A brief check of the System 11 Sound system occurs at game Turn-on; the game reports the test results by brief sounds, as follows: No sound = B/G Sound & Speech Board is not operating, or a failure is affecting the sound circuitry (broken cable; dead amplifier; etc.); 1 sound = system OK; 2 sounds = RAM problem; 3 sounds = U4 problem; 4 sounds = U19 problem.

MAINTENANCE INFORMATION

Figure 2 shows the two main lubrication points of the Ball Trough Feeder (also the Multi-Ball Ejector, which utilizes the same mechanism). The shaded arrows show the directions in which the Ball Trough Feeder and other parts of its related assemblies can be adjusted for proper operation.

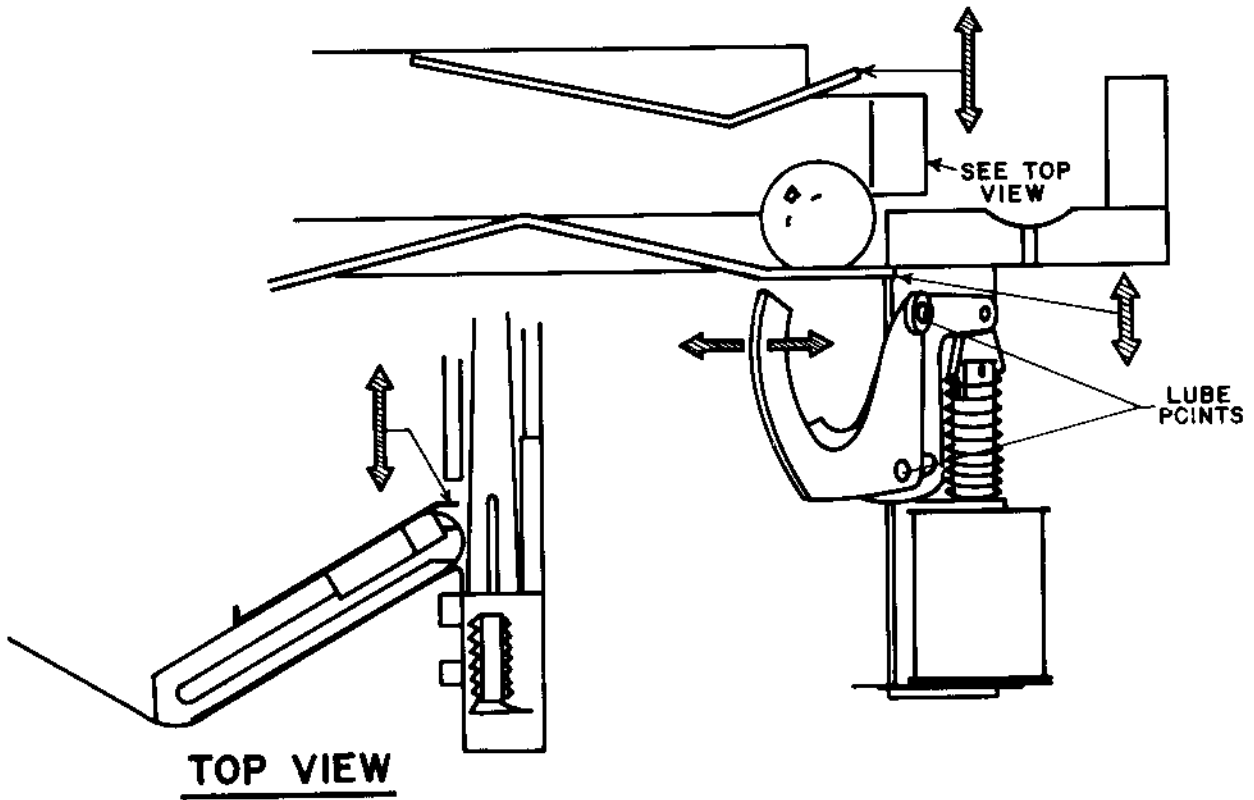


Figure 2. Adjustments and Lubrication Points, Ball Trough Feeder.

Section 2

Game Parts Information

- **Parts Lists and Diagrams:**

Displays

Playfield Pivot Parts

A/N Master Display Board (C-10877)

B/G Sound/Speech Board (D-11297)

Power Supply Board (D-8345-549)

CPU Board (D-11392-549)

Backbox

3-Bank Drop Target

Flipper Assemblies

Miscellaneous Game Parts

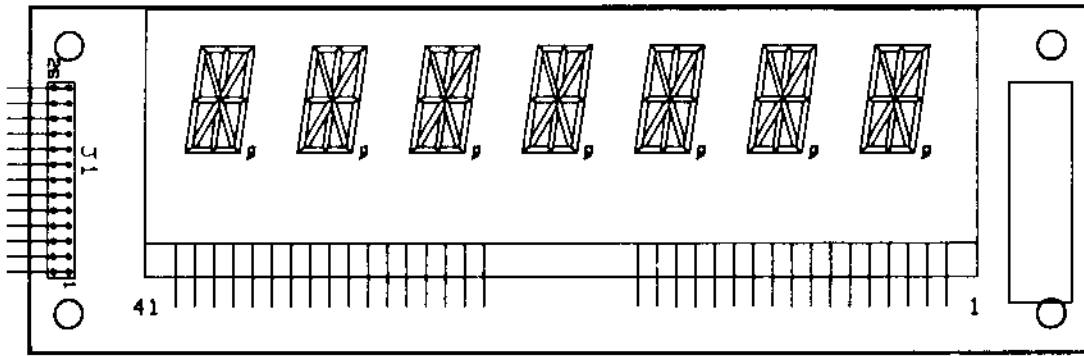
Ball Eject Assembly

Playfield Parts

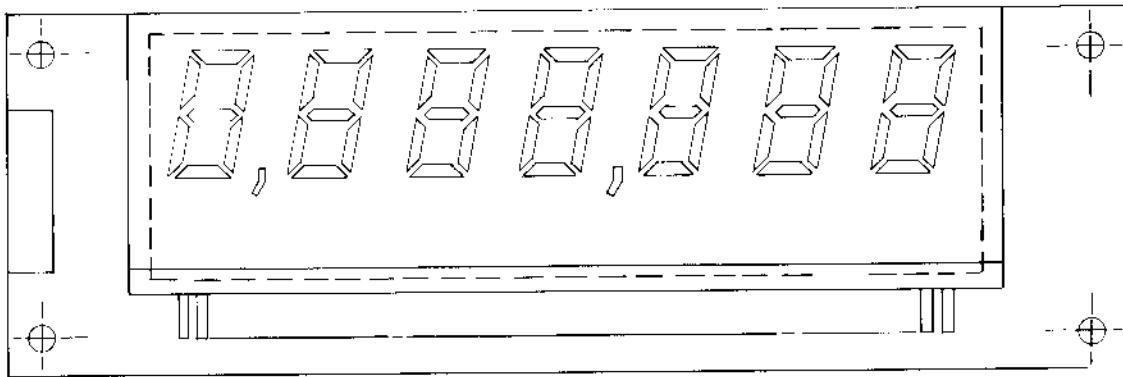
Solenoids/Flashers & Rubber Parts

Lamps

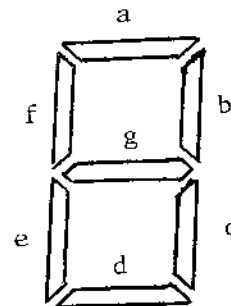
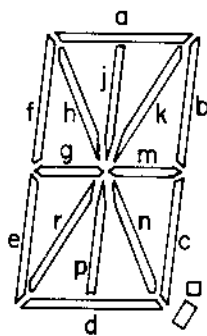
Switches



C-10866 Player Score Display Panel Assembly (Alphanumeric)
 (Display Glass, p/n 5670-10873-00)



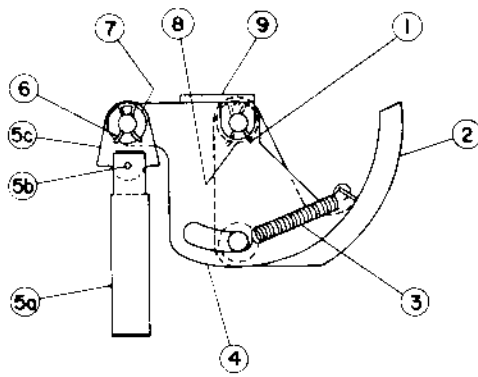
C-8364-1 Player Score Display Panel Assembly (7-Segment)
 (Display Glass, p/n 5670-09439-00)



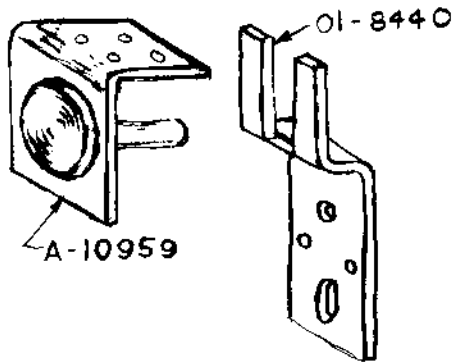
Display Characters Segment Designations

Ball Trough Feeder

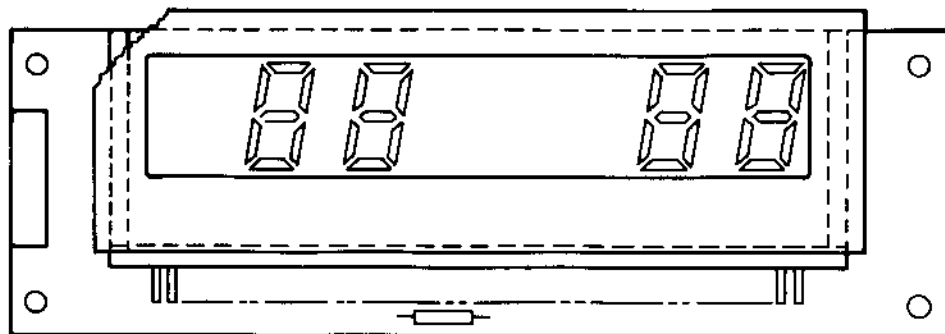
p/n C-9638



Item	Part No.	Description
1	12-6227	Clip, Hair Pin
2	A-8247	Ball Eject Cam Assembly
3	10-320	Spring
4	A-6949-L	Spring Plate Assembly
5	A-8050-1	Plunger Assembly
a)	02-3407-2	Coil Plunger
b)	20-8716-5	Roll Pin
c)	01-1789	Armature Link
6	12-6227	Clip, Hair Pin
7	4700-00030-00	Washer, 1/2 o.d. x 17/64 i.d. x 15 ga.
8	4700-00103-00	Washer, 1/2 o.d. x .265 i.d. x .015 thk.
9	A-8268	Mounting Bracket Assembly

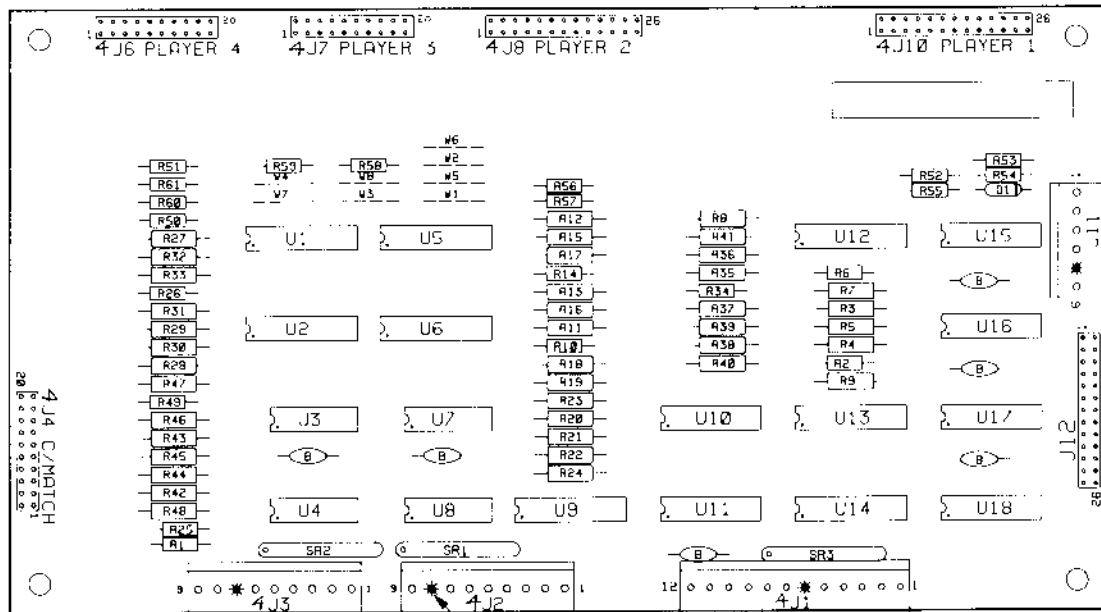


Playfield Pivot & Hinge Bracket



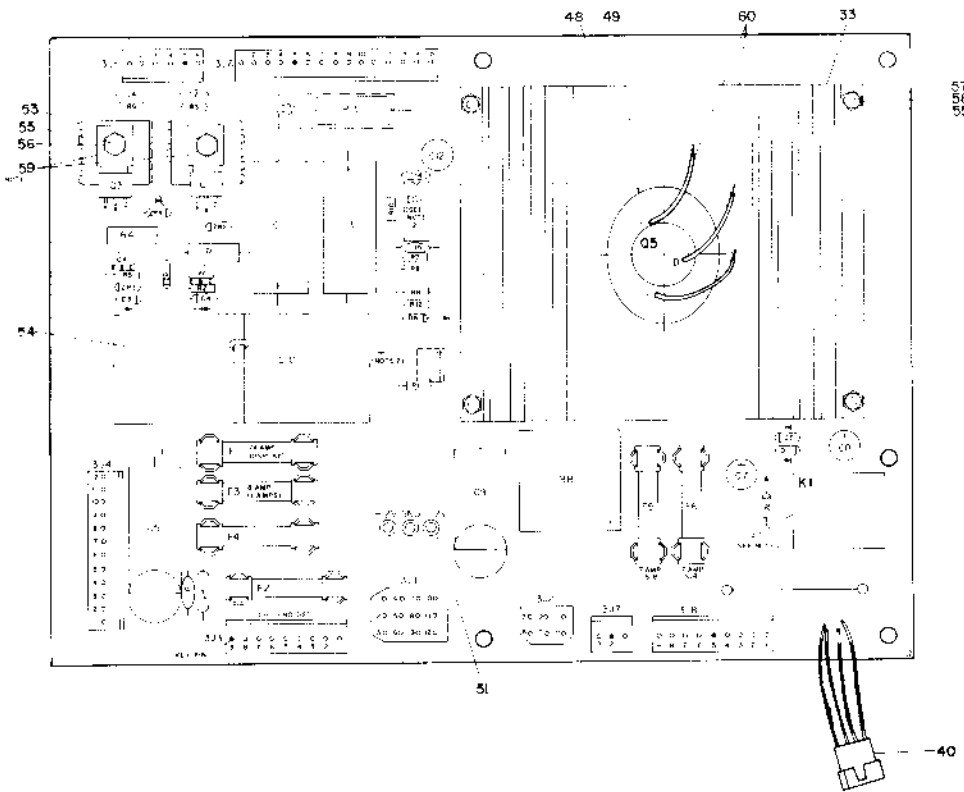
C-8365-1 BALL-IN-PLAY/MATCH Display Panel Assembly

(Display Glass, p/n 5670-09448-00)



Alphanumeric Master Display Board P/n (D-10877)

Item	Part No.	Ckt Designation	Description
1	5760-10875-00		Bare P. C. Board
2	5791-10850-00	J8, J10, J12	Connector, 26 pin (Hdr)
3	5791-09437-00	J4, J6, J7	Connector, 20 pin (Hdr)
4	5791-10862-12	J1	Connector, 12 pin (Hdr)
5	5791-10862-09	J2, J3	Connector, 9 pin (Hdr)
6	5791-10862-06	J11	Connector, 6 pin (Hdr)
7	5010-10258-00	R25, R26, R50 - R61	Resistor, 1 M, 1/4 w, 5%
8	5010-09774-00	R1, R2, R6, R10, R14, R34, R35	Resistor, 18 K, 1/4 w, 5%
9	5010-08772-00	R49	Resistor, 15 K, 1/4 w, 5%
10	5010-08981-00	R18 - R24, R27 - R33, R36, R37, R39, R40, R42 - R48	Resistor, 10 K, 1/4 w, 5%
11	5010-09534-00	W1 - W8	Resistor, 0 Ω
12	5019-10387-00	SR1 - SR3	SIP, 18 K, 9R, 10P, 5%
13	5043-08980-00	B	Capacitor, 0.01 mfd, 50V
14	5075-09135-00	D1	Zener, 1N4740A, 10V, 1 w
15	5310-09153-00	U10, U11, U15 - U18	IC, Hex Buffer, 4050
16	5310-09882-00	U3, U4, U7, U8	IC, Quad NOR, 4001B
17	5680-08969-00	U9, U12 - U14	IC, Cathode Seg. Driver, UDN7180A
18	5680-08968-00	U1, U2, U5, U6	IC, Anode/Digit Driver, UDN6118A or 6184
19	16-8850-139		Label, P. C. Board Ident.
20	5010-10927-00	R3 - R5, R7 - R9, R11 - R13, R15 - R17, R38, R41	Resistor, 8.2 K, 1/2 w, 5%

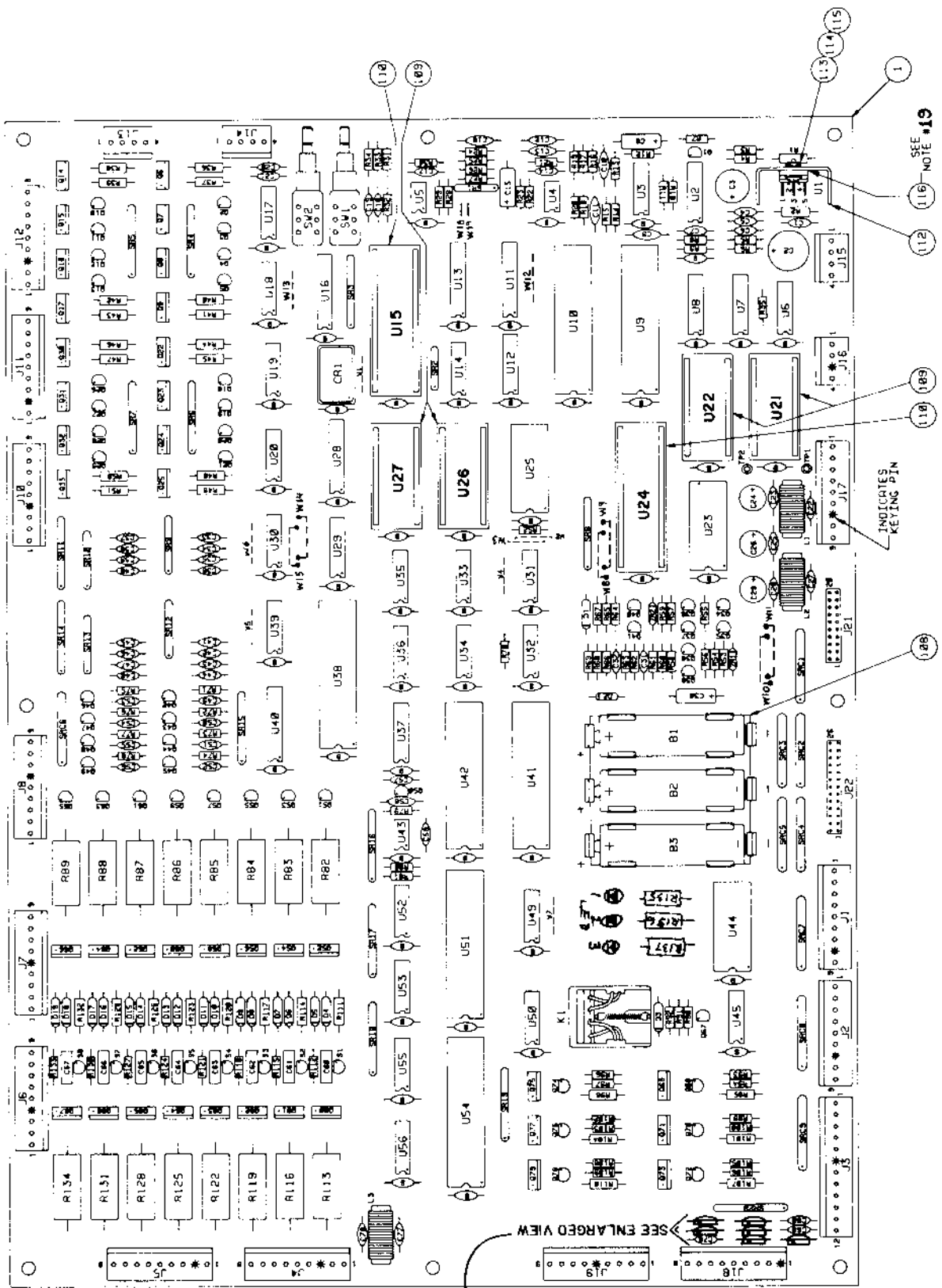


NOTES:

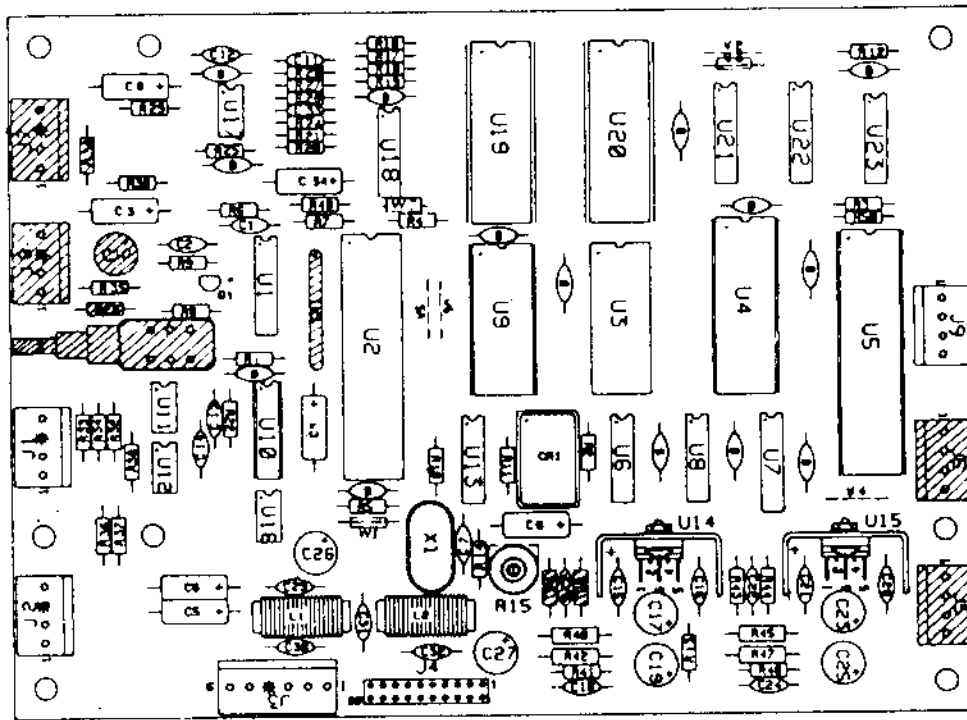
1. Heat sink compound must be applied between transistor and heat sink.
2. Observe index mark on integrated circuit, polarity of diodes and capacitors, and position of transistors.
3. The view of Q5 and its related heat sink and hardware is from the bottom of the heat sink, to clarify installation.

Power Supply
p/n D-8345-549

Item	Part No.	Ckt Designator	Description	Item	Part No.	Ckt Designator	Description
1	5765-09466-01		Bare P. C. Board	28	5164-09057-00	Q1	Transistor, SDS201, NPN
2	5013-09426-00	R7	Resistor, 2.15K, 1%, 1/4w, Metal Film	29	5164-09056-00	Q4	Transistor, MPSD02, NPN
3	5013-09427-00	R8	Resistor, 4.99K, 1%, 1/4w, Metal Film	30	5194-09058-00	Q3	Transistor, SDS202, PNP
4	5010-09428-00	R11	Resistor, 1.5K, 2%, 1/4w, C. Film	31	5194-09055-00	Q2	Transistor, MPSD52, PNP
5	5010-09085-00	R10	Resistor, 1.5K, 5%, 1/4w	32	5162-09425-00	Q5	Transistor, 2N6057, NPN
6	5010-09541-00	R9	Resistor, 2.7K, 2%, 1/4w	33	5705-09431-00		Heat Sink
7	5010-09508-00	R12	Resistor, 270Ω, 2%, 1/4w, C. Film	34	5791-09074-00	3J6	Connector, 15 pin (Hdr)
8	5012-09429-00	R13	Resistor, 0.12Ω, 5%, 5w	35	5791-09027-00	3J3, 3J8	Connector, 9 pin (Hdr)
9	5010-09536-00	R1, R4	Resistor, 39K, 5%, 1w	36	5791-09038-00	3J2	Connector, 6 pin (Hdr)
10	5010-09061-00	R2, R5	Resistor, 680Ω, 2w	37	5791-09067-00	3J5	Connector, 6 pin (Hdr)
11	5010-09069-00	R3, R6	Resistor, 330K, 5%, 1/2w	38	5791-09434-00	3J4	Connector, 12 pin (Hdr)
12	5040-09419-00	C10	Capacitor, 18,000 mfd, electr, 20v, axial	39	5791-09435-00	3J7	Connector, 3 pin (Hdr)
13	5040-09420-00	C9	Capacitor, 1000 mfd, electr, 25v, axial or radial	40	H-11065	3J9	Cable/Connector Assembly
14	5040-09423-00	C12	Capacitor, 330 mfd, electr, 10v, radial	a)	5791-09400-00		Connector shell
15	5043-9065-00	C15	Capacitor, 470 pfd	b)	5820-09080-00		Connector pin
16	5040-9053-00	C1, C3	Capacitor, 100 mfd, electr, 150v	41	5791-09068-00	3J1	Connector, 12 pin (Hdr)
17	5040-09070-00	C5	Capacitor, 100 mfd, electr, 100v, axial or radial	42	5321-09178-00		Fuseholder
18	5043-09072-00	C2, C4	Capacitor, 0.1 mfd, 500v, disc	43	5731-06314-00	F2	Fuse, 4.0A, 250v, S-B
19	5043-09446-00	C14	Capacitor, 0.1 mfd, 50v, disc	44	5731-09071-00	F3	Fuse, 8A, 32v
20	5070-06258-00	D1, D2, D5, D6	Diode, 1N4001	45	5730-09128-00	F4	Fuse, 2.5A, 250v
21	5070-09054-00	D3, D4	Diode, 1N4004	46	5731-08761-00	F1	Fuse, 1/4A, 250v, S-B
22	5075-09059-00	ZR1, ZR3	Zener, 1N5990, 3.9v, 5%	47	5017-09064-00	VR1	Varistor
23	5075-09060-00	ZR2, ZR4	Zener, 1N4764, 100v, 5%	48	5700-09445-00		Socket
24	5460-09424-00	IC1	IC, Volt. Reg., MC1723C	49	5701-09652-00		Mica Insulator
25	5043-09443-00	C6	Capacitor, 0.1 mfd, 200v, disc	50	5580-09555-00	K1	Relay, 24VDC, 10A, DPDT
26	5040-09421-00	C7	Capacitor, 100 mfd, 25v, radial	51	5824-09428-00	TIP1 - TP4	Terminal, #1502-1 (Test Post)
27	5040-09422-00	C8	Capacitor, 47 mfd, 50v, radial	52	5100-09418-00	BR1	Bridge Rectifier, 35A, 100V
				53	5705-09042-00		Heat Sink
				54	03-7947		Tie Wrap
				55	4005-01016-00		Mach. Screw, 5-40 x 7/16, RH
				56	4700-00004-00		Flatwasher, 0.146 x 3/8, 21 Ga.
				57	4701-00023-00		Lockwasher, #5, split
				58	4405-01117-00		Hex Nut, 5-40
				59	20-9229		Heat sink Thermal Compound
				60	HW-30118-4		Lead wire, 18 AWG, 3"
				61	5731-01003-00	F6, F5	Fuse, 7A, 250V, S-B



System 11A CPU Board (D-11392) Parts Information



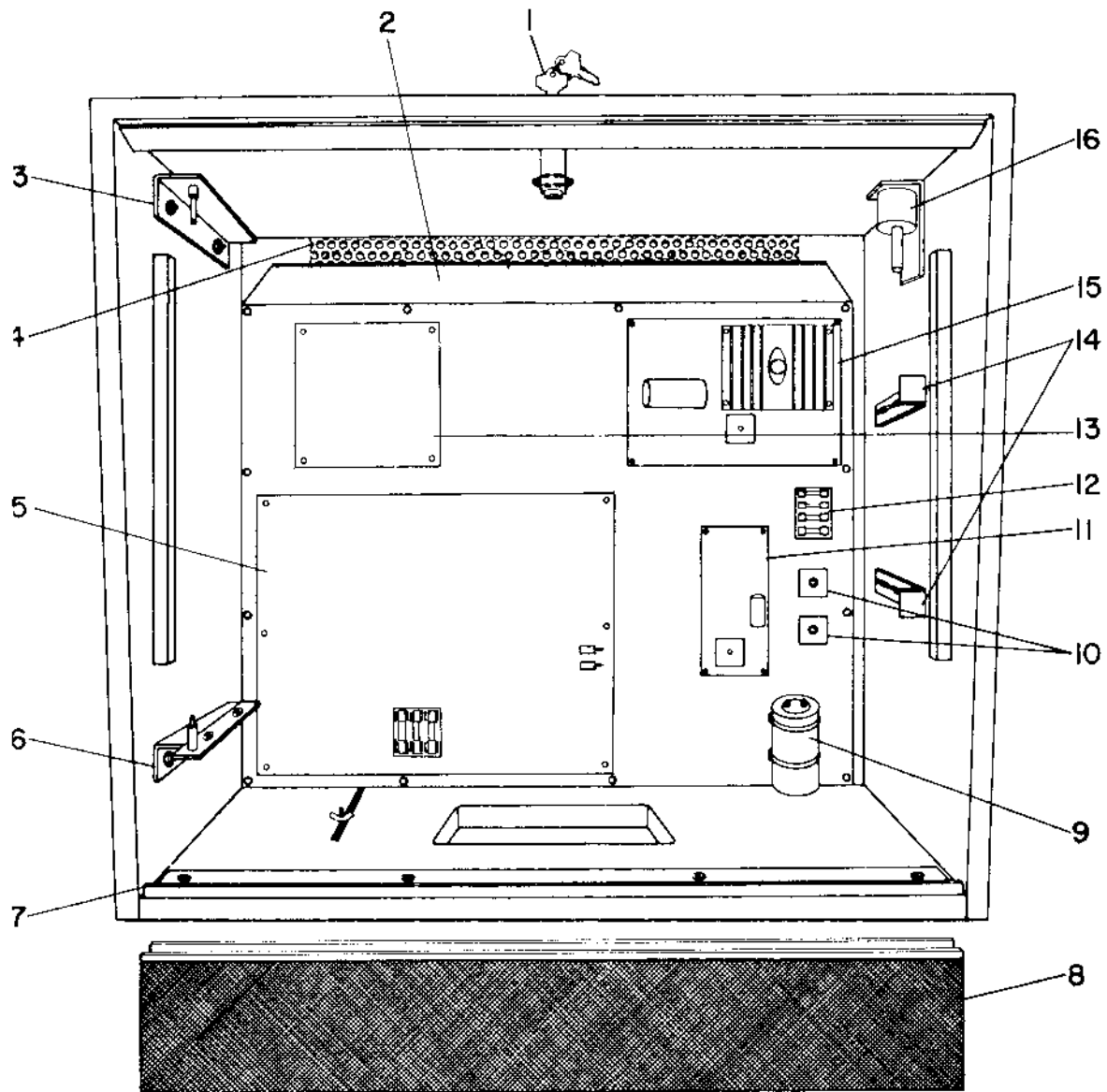
Background Speech & Sound Board

p/n D-11297-549

Item	Part No.	Ckt Designator	Description	Item	Part No.	Ckt Designator	Description
1	5766-12057-00		Bare P. C. Board	33	5043-09844-00	C1	Capacitor, 47 pfd
2	5371-09152-00	U1	IC, D/A Convtr, MC1408	34	5043-09492-00	C7	Capacitor, 100 pfd
3	5430-10322-00	U2	IC, PIA, MC68B21	35	5046-09350-00	C33	Capacitor, 180 pfd
4	5340-09878-00	U3	IC, RAM, 2016	36	5046-09346-00	11	Capacitor, 1200 pfd
5	5281-09487-00	U6, U23	IC, Dual Flipflop, 74LS74	37	5046-09348-00	C12	Capacitor, 4700 pfd
6	5281-09745-00	U7	IC, Dual Mux, 74LS138	38	5043-09845-00	C20, C29 - C32	Capacitor, .001 μ fd
7	5281-09235-00	U8	IC, Triple Nand, 74LS10	39*	5043-08980-00	C2, C13, C14, C15, C22	Capacitor, .01 μ fd
8	5370-09321-00	U11, U12, U16, U17	IC, Op Amp, MC1458	40	5043-08996-00	C18, C24	Capacitor, 0.1 μ fd
9	5281-09215-00	U13	IC, Hex Inv, 74LS04	41	5043-10642-00	C34	Capacitor, 1 μ fd, 50V, radial
10	5281-10043-00	U21	IC, 74LS175	42	5040-09343-00	C3 - C6, C8, C9	Capacitor, 10 μ fd, electr., 20V, axial
11	5281-09246-00	U22	IC, 2-4 Dec, 74LS139	43	5040-10974-00	C26, C27	Capacitor, 100 μ fd, electr., 35V, radial
12	5370-09156-00	U14, U15	IC, Aud. Amp, TDA2002	44	5040-09776-00	C17, C23	Capacitor, 470 μ fd, electr., 16V, radial
13	5370-09335-00	U18	IC, CVSD, 55516	45	5040-12006-00	C19, C25	Capacitor, 1000 μ fd, electr., 16V, radial
14	5160-10269-00	Q1	Transistor, 2N3904, NPN	46	5041-09493-00	C21	Capacitor, 10 μ fd, tant., axial
15	5014-12061-00	R15	Potentiometer, 100K, Horiz.	47	5551-09822-00	L1, L2	Inductor, 4.7 μ H, 3A
16	5010-09181-00	R-42, R47	Resistor, 1.0 Ω , 1/2w.	48	5791-10862-04	J1, J2, J8, J9	Connector, 4 pin (Hdr)
17	5010-09161-00	R41, R46	Resistor, 2.2 Ω	49	5791-10862-06	J3	Connector, 6 pin (Hdr)
18	5010-09361-00	R13, R40, R45	Resistor, 220 Ω	50	5791-09437-00	J4	Connector, 20 pin, (Hdr)
19	5010-09358-00	R43, R44	Resistor, 1K	51	5700-10176-00		Ribbon Cable
20	5010-08998-00	R10, R11	Resistor, 2.2K	a)	A-5343-549-5	U4	IC, B/G Sp. & Sound ROM 1
21	5010-08983-00	R6 - R8	Resistor, 3.3K	b)	A-5343-549-6	U19	IC, B/G Sp. & Sound ROM 2
22	5010-08991-00	R1 - R5, R12, R36, R48 - R50	Resistor, 4.7K	c)	A-5343-549-7	U20	IC, B/G Sp. & Sound ROM 3
23	5010-09034-00	R16 - R19, R30, R32 - R35, R38	Resistor, 10K	52	5700-08985-00		IC Socket, 40 pin
24	5010-08772-00	R28	Resistor, 15K	a)	5400-10320-00	U5	IC, μ Processor, MC68B09E
25	5010-09324-00	R22, R26, R27, R29, R37	Resistor, 27K	53	5700-09004-00		IC Socket, 24 pin
26	5010-09342-00	R21	Resistor, 36K	a)	5370-11086-00	U9	IC, Sound Processor, YM2151
27	5010-08824-00	R20	Resistor, 43K	54	5700-09006-00		IC Socket, 16 pin
28	5010-09333-00	R24	Resistor, 180K	a)	5371-11087-00	U10	IC, D/A Conv, YM3012
29	5010-08846-00	R25	Resistor, 220K	55	5521-10931-00	CR1	Oscillator, 8 MHz
30	5010-10258-00	R14	Resistor, 1M	56	5520-09020-00	X1	Crystal, 3.58 MHz
31	5010-09179-00	R9	Resistor, 3.3M				
32	5010-09534-00	W1, W3, W6	Resistor, 0 Ω				

Notes: * 14 capacitors (shown on diagram with "B" symbol) also provide +5VDC filtering for ICs.

All capacitors are ceramic, 50v, axial, unless otherwise noted.
All resistors are 5%, 1/4w, Carbon Film, unless otherwise noted.

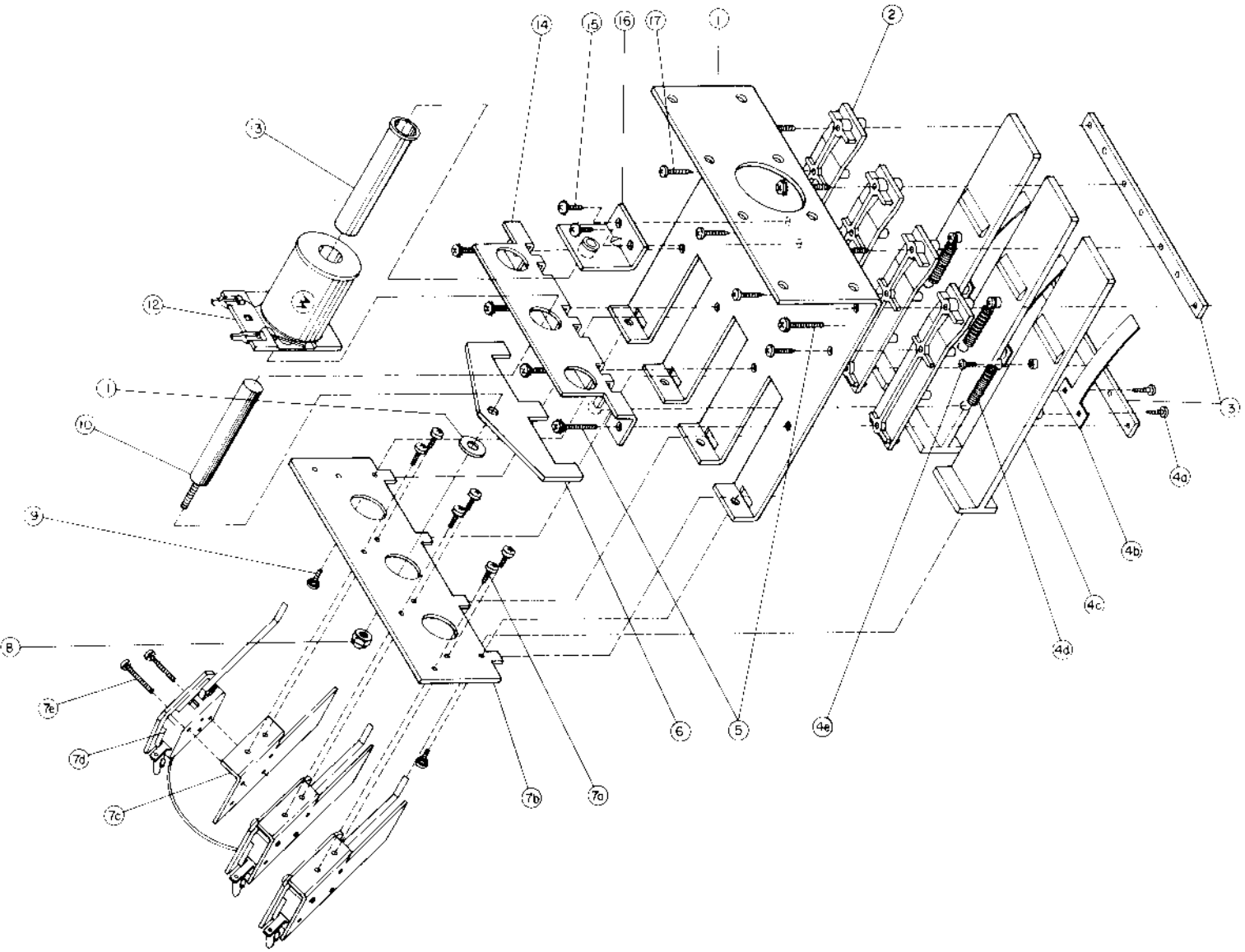


Backbox Parts Listing

Item	Part No.	Description	Item	Part No.	Description
1	20-6542-TB	Cam Lock	9	5040-09051-00	Capacitor, 30,000 μ Fd., 25V
a)	01-7993-1	Lock Pawl, Backglass	10	5100-09418-00	Bridge Rectifier, 100v, 35A.
2	D-11032	PCB Plate Assembly	11	C-9939	Flipper Power Supply
3	A-7984	Upper Insert Bd. Hinge Assy	12	5733-10702-01	Fuse Holder
4	01-6645	Venting Screen	13	D-11297-549	B/G Speech & Sound Board
5	D-11392-549	System 11A CPU, PIN•BOT	14	01-8084	Insert Stop Bracket
6	A-10815	Lower Insert Board Hinge Assy	15	D-8345-549	Power Supply Assembly
7	01-8081	Lower Speaker Panel Bracket	16	B-10686	Knocker Assembly
8	C-11375	Speaker Panel Assembly		20-9518	Backbox Hinge

The following are parts of the "Top" Backbox Flasher Assembly:

- D-11380 Flashbar & Cable Assembly
- D-11381 Dome Assembly, Backbox Flasher
- RM-22-04 Tape, Dome Cover (silver mylar)
- 03-8060 Dome Light



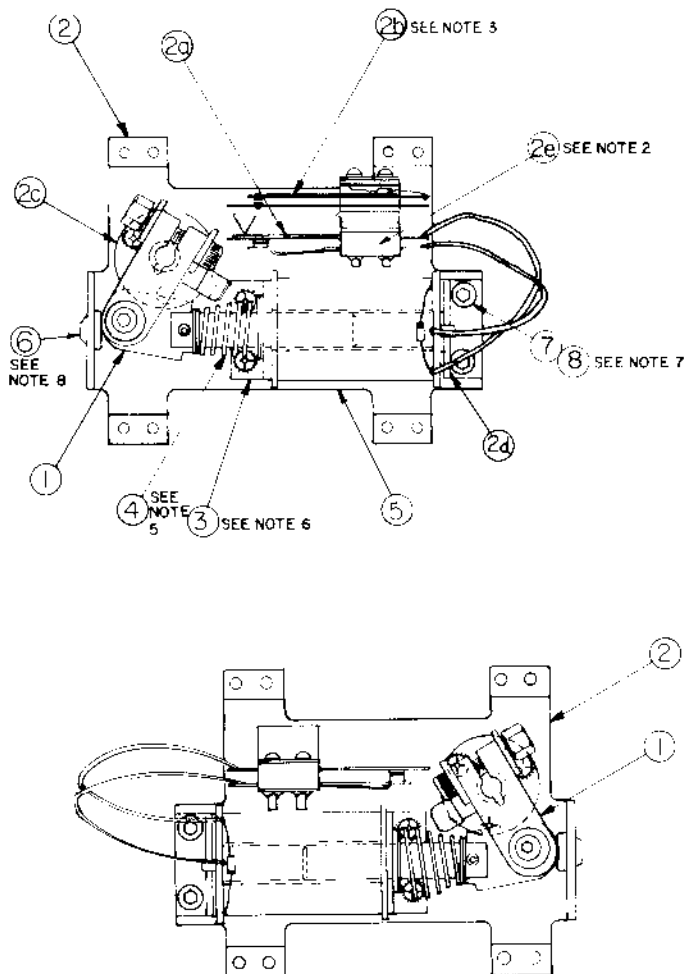
3-Bank Drop Target Assembly

p/n D-9355

Item	Part No.	Description	Item	Part No.	Description
1	01-7567	Drop Target Frame	7c)	01-7495	Switch Bracket
2	03-7479	Drop Target Guide	d)	17-1042	Drop Target Switch
3	01-6450-3	Target Retaining Bar	e)	4004-01003-10	Mach. Screw, 4-40 x 5/8, P-PH-S
4	B-8451	Drop Target Assembly	8	4410-01132-00	Nut, 10-32 ESN
a)	4104-01001-04	Sheet Metal Screw, #4 x 1/4, P-PH-A	9	4006-01017-04	Mach. Screw, 6-32 x 1/4
b)	01-7037	Target Backup Blade	10	02-3972	Drop Target Plunger
c)	03-7478	Drop Target	11	4700-00023-00	Washer, 13/16 o.d. x 5/8 i.d., 16 ga.
d)	10-364	Target Retractor Spring	12	AE-23-800-04	Coil Assembly
e)	4104-01001-04	Sheet Metal Screw, #4 x 1/4, P-PH-A	13	03-7066-4	Coil Sleeve
5	4006-01003-15	Mach. Screw, 6-32 x 15/16, P-PH-S	14	01-6451-3A	Coil Support Angle
6	01-7036	Reset Plate	15	4006-01017-04	Mach. Screw, 6-32 x 1/4, P-RH-S
7	B-9354	Switch & Bracket Assembly	16	A-8037	Coil Stop Assembly
a)	4006-01003-03	Mach. Screw, 6-32 x 3/16, P-PH-S	17	4106-01001-07	Sheet Metal Screw, #6 x 7/16, P-PH-ST
b)	01-7517	Switch Mounting Bracket			

Flipper Assembly

p/n C-9952-R



Item	Part No.	Description
1	B-10655-R	Crank Link Assembly
a)	02-4179	Link Spacer Bushing
b)	4010-01086-14	Cap Screw, 10-32 x 7/8, SH
c)	4700-00023-00	Washer, 5/8 o.d. x 13/64 i. d. x 16 ga.
d)	4701-00004-00	Lockwasher, #10 split
e)	4410-01132-00	Nut, 10-32 ESNA
f)	A-10656	Flipper Link Assembly
1.)	02-4219	Coil Plunger
2.)	20-9370-1	Spring Pin, 5/32 dia. x 7/16
3.)	03-8050	Flipper Link
g)	B-10657-R	Flipper Crank Assembly, Right
1.)	01-8073-R	Flipper Crank, Right
2.)	17-1037	Crank Washer
3.)	4010-01066-18	Cap Screw, 10-32 x 1-1/8, HCS
4.)	4410-01127-00	Nut, 10-32 Hex Hd.
5.)	4700-00107-00	Washer, 5/8 o.d. x 13/64 i. d. x 12 ga.
6.)	4701-00004-00	Lockwasher, #10 split
7.)	RM-23-06	Tubing, H. S. 1/4 DWP
2	C-9954-R	Flipper Base/Lane Change Assembly, R.
a)	06-14G	Insulating Blade
b)	SW-1A-150	Lane Change Switch
c)	03-7568	Flipper Bushing
d)	A-10821	Flipper Stop Assembly
e)	03-7811	End of Stroke (EOS) Switch
3	01-7695	Solenoid Bracket
4	10-376	Coil Plunger Spring
5	FL-23/600-30/2600	Flipper Coil
6	23-6577	Bumper Plug
7	4010-01066-06	Cap Screw, 10-32 x 3/8, AH
8	4710-00004-00	Lockwasher, #10 split

NOTES

- Each Flipper Assembly is mounted below the playfield, in conjunction with the plastic flipper and shaft (20-9250) and flipper rubber (23-6519) (on the upper side of the playfield)
- The tip of the EOS Switch must travel .015 (- .010 .000 inch) before the contacts fully open with the flipper in the actuated position. The EOS Switch contacts must have a gap of .062 (- .015) inch. Any adjustment of the EOS Switch must be made at a minimum distance of .25 inch from the switch body.
- The Lane Change Switch must have a gap of .046 (- .015) inch when fully open.
- All moving elements of the assembly must operate freely without any evidence of binding.
- Coil plunger spring must fit within the four lugs of the solenoid bracket.
- For coil replacement remove solenoid bracket (item 3) to prevent screw damage.
- Use Loctite when reassembling flipper stop bracket screws.
- When using bumper plug on older flipper assemblies, readjust flipper position.
- Solid color grey (or blue) wire connects to the banded end of the diode mounted on the connector end of flipper coil (item 5). Wire with trace color connects to the unbanded end of the diode.

Flipper Assembly

p/n C-9952-L

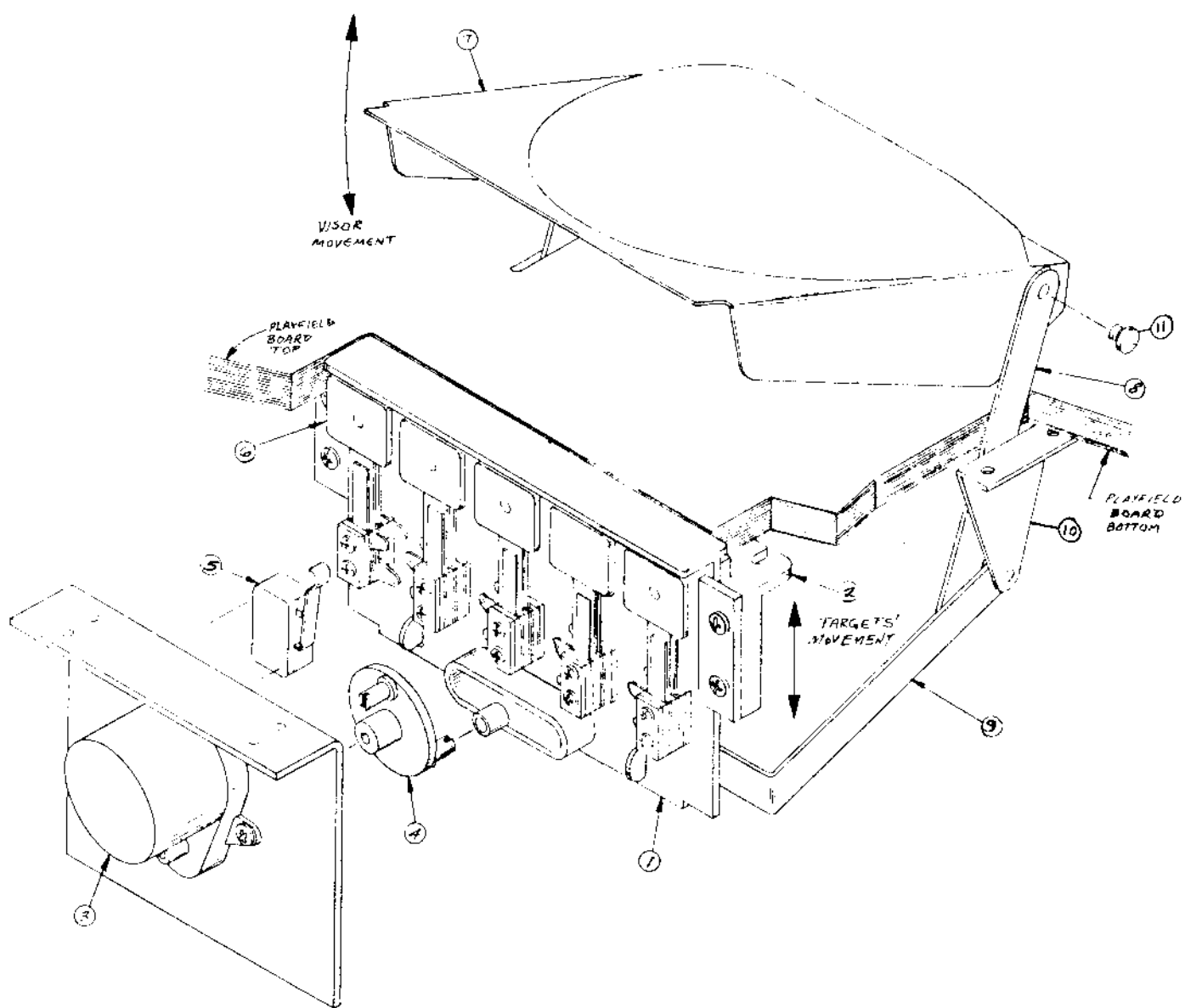
(Parts listed replace same items of C-9952-R)

Item	Part No.	Description
1	B-10655-L	Crank Link Assembly
g)	B-10657-L	Flipper Crank Assembly, Left
1.)	01-8073-L	Flipper Crank, Left
2	C-9954-L	Flipper Base/Lane Change Assy, L.

Chest Lamp Matrix Board

p/n C-11310

Part No.	Ckt. Designator	Description
C-11309		Chest Lamp Matrix Bd. Assy
5768-12062-00		Bare P. C. Board
5070-09054-00	D1 - D25	Diode, 1N4004
5010-09354-00	W1 - W8	Resistor, 0Ω, 1/4w, Car. Film
24-8767		Lamp Socket, PCB Twist
24-8768	Lamps: 28 - 32, 36 - 40, 44 - 48, 52 - 56, 60 - 64	Lamp, #555

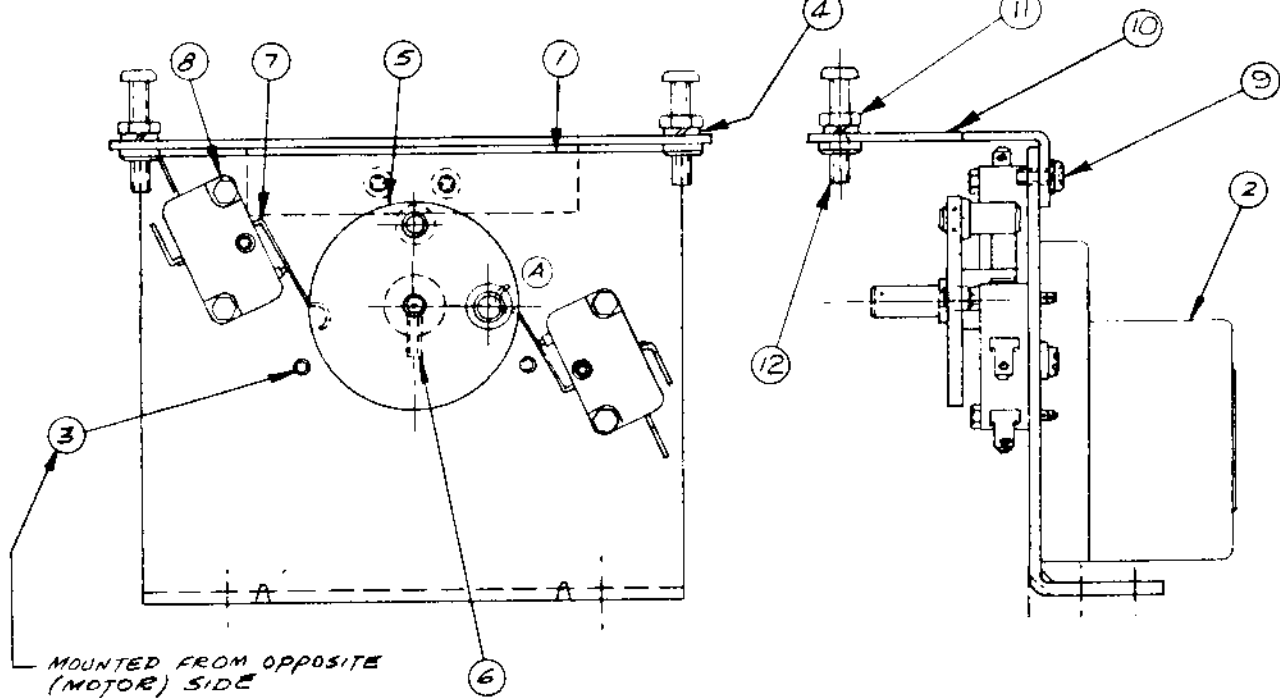


Visor & Targets Mechanism

Item	Part No.	Description	Item	Part No.	Description
1	B-11156	Targets Carrier	7	C-11159	Visor Assembly
2	03-8026	Target Guide	8	01-8369	Connecting Link
3	14-7941	Motor	9	A-11122	Lever Arm
4	A-11154	Motor Cam	10	A-11117	Mounting Brkt & Post Assy
5	5647-10529-00	Limit Switch	11	02-4265	Connecting Pin
6	03-8028	Carrier Retainer			

Visor Assembly p/n C-11159

Item	Part No.	Description
1	C-11158	Visor Rivet Assembly
2	01-8366	Pivot Bracket
3	02-4264	Hinge Pin
4	20-8712-18	"E" Ring, 3/16" shaft



Visor Motor Assembly

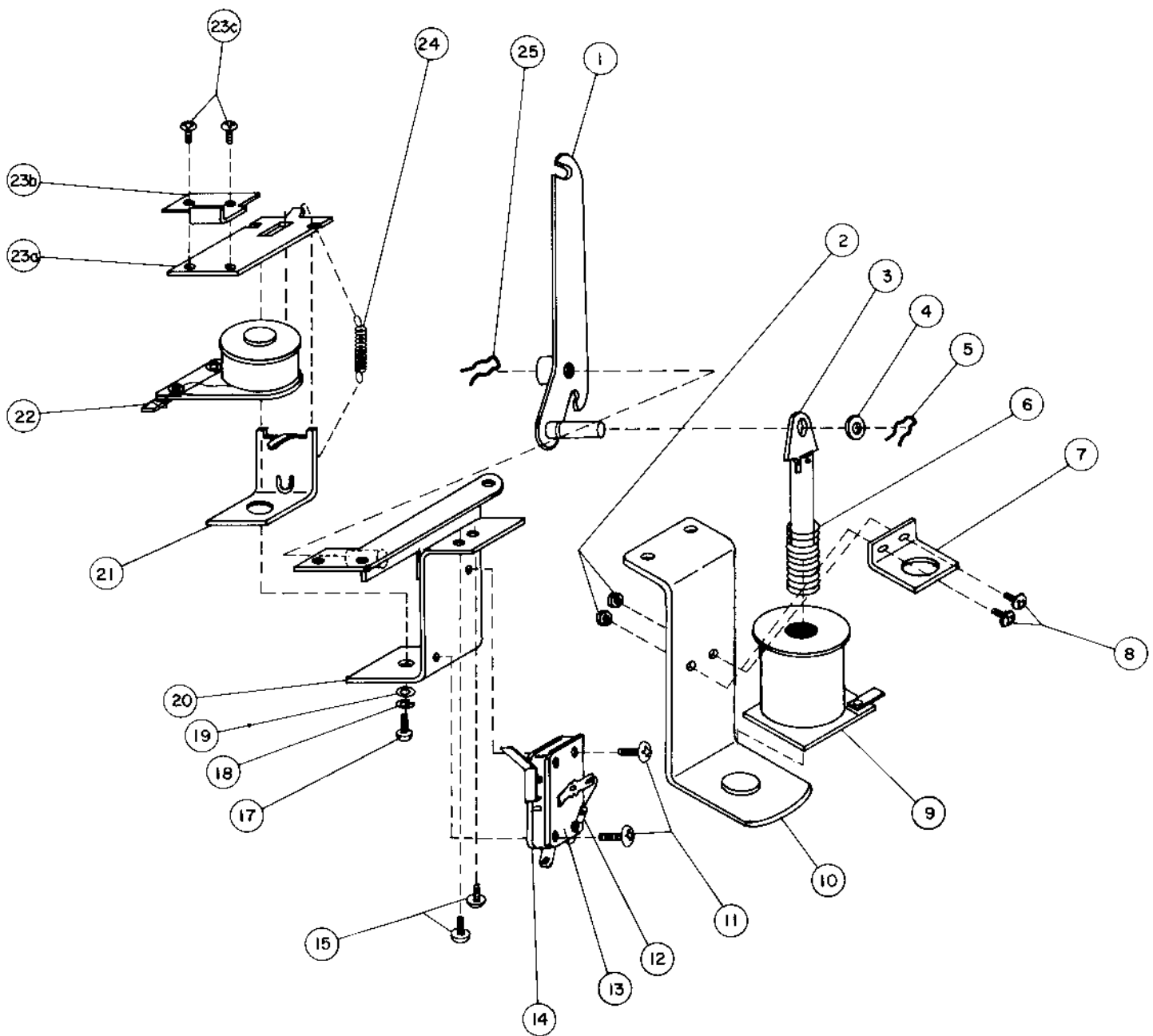
p/n B-11169

Item	Part No.	Description	Item	Part No.	Description
1	01-8368	Motor Mounting Bracket	8	4004-01070-10	Mach. Screw, 4-40 x 5/8, Plain Hex Head
2	14-7941	Motor, 11 rpm, 24VAC	9	4006-01003-04	Mach. Screw, 6-32 x 1/4, P-PH-S
3	4006-01005-06	Mach. Screw, 6-32 x 3/8,	10	A-11121	Adj Bracket Assy
4	4701-00003-00	Lockwasher, #8 split	11	4408-01117-00	Nut, 8-32 Hex
5	A-11154	Motor Cam Assembly	12	4008-01005-16	Mach. Screw, 8-32 x 1, P-PH
6	4008-01076-06	Set Screw, 8-32 x 3/8, CP			
7	5647-10529-00	Switch, Snap Action			

Visor Teeth Target Carrier Assembly

p/n B-11156

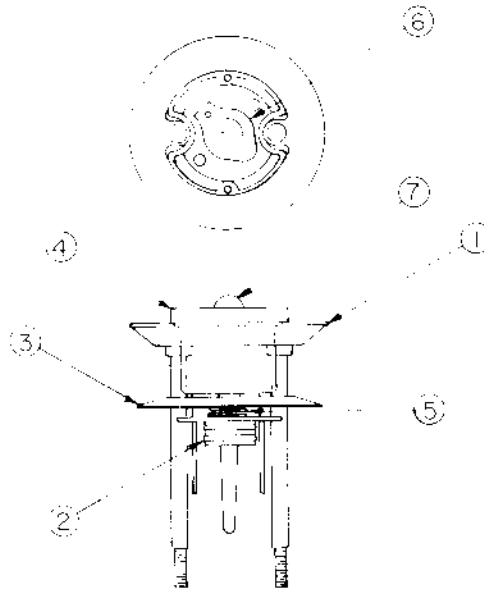
Part No.	Description	Part No.	Description
C-11176	Switch & Cable Assembly	01-3670-1	Switch Plate, Flat
A-11177	Switch & Diode Assembly	03-8025	Target Carrier
A-11315-1	Switch & Diode Assembly	23-6534-9	Edge Protector
A-11315-2	Switch & Diode Assembly	4004-01003-12	Mach. Screw, 4-40 x 3/4, P-PH-S
A-11315-3	Switch & Diode Assembly	4404-01119-00	Nut, ESNA 4-40
A-11315-4	Switch & Diode Assembly	03-7655-4	Harness Clip, 1/4
H-11323	Visor Target Cable	4700-00003-00	Washer, Flat: 1/8 i.d. x 9/32 o.d. x 21 ga.
HW-30022-4	Wire, 22 AWG, yellow, 11"		



Ramp Lifting Mechanism

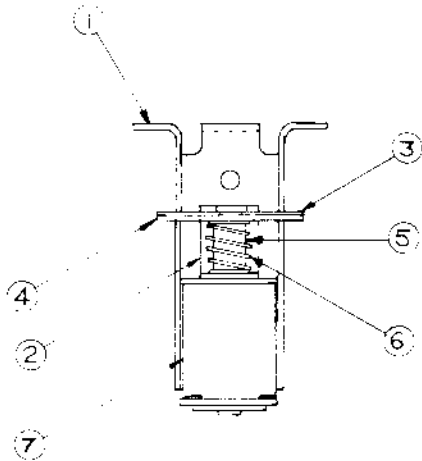
p/n B-11304

Item	Part No.	Description	Item	Part No.	Description
1	A-11137	Lift Crank Assembly	15	4004-01003-05	Mach. Screw, 4-40
2	4406-01119-00	Nut, 6-32 ESN	16		Not Used
3	A-8050	Plunger Assembly	17	4008-01021-07	Mach. Screw, 8-32 x 7/16
4	4700-00073-00	Washer, .281 i.d. x .500 o.d.	18	4701-00003-00	Lockwasher, #8 Split
5	12-6227	Retaining Clip	19	4700-00089-00	Washer, .172 i.d. x 7/16 o.d.
6	10-128	Spring	20	B-11302	Lift Mech Bracket Assembly
7	01-8-508-S	Coil Retaining Bracket	21	A-6892	Frame and Eyelet
8	4006-01017-06	Mach. Screw, 6-32 x 3/8	22	SM-26-600-DC	Coil Assembly
9	AE-24-900-02	Coil Assembly	23	A-11139	Armature Assembly
10	B-7572-1	Bracket & Stop Assembly	a)	A-8936	Armature Subassembly
11	4004-01003-10	Mach. Screw, 4-40 x 5/8	b)	01-8390	L Crank Lock
12	5070-06258-00	Diode, 1N4001	c)	4006-01003-03	Mach. Screw, 6-32 x 3/16
13	A-7438-1	Terminal Strip	24	10-363	Extension Spring
14	5647-12001-00	Microswitch	25	12-6227	Retaining Clip



B-9414 JET BUMPER ASSEMBLY

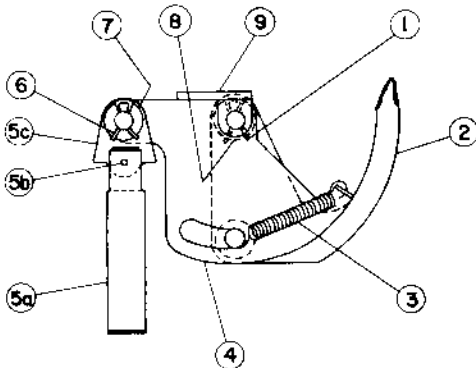
ITEM	PART NO.	DESCRIPTION
1	A-4754	Bumper Ring Assembly
2	03-6009-A6	Bumper Base
3	03-6035-5	Bumper Water
4	03-7443-5	Bumper Body
5	10-7	Bumper Spring
6	24-6416	Bumper Socket
7	24-6549	#44 Bulb



B-9415 JET BUMPER COIL ASSEMBLY

ITEM	PART NO.	DESCRIPTION
1	B-7417	Bracket and Stop Assembly
2	01-1747	Coil Retaining Bracket
3	01-5492	Armature Link Steel
4	01-5493	Armature Link Bakelite
5	02-3406-1	Coil Plunger
6	10-326	Armature Spring
7	SG1-23-850-DC	Solenoid Coil

Ball Eject Assembly, Right p/n B-9361-R-1



Item	Part No.	Description
1	12-6227	Clip, Hair Pin
2	A-7471-R	Ball Eject Cam Assembly
3	10-362	Spring
4	A-6949-R	Spring Plate
5	A-8050-1	Plunger Assembly
a)	02-3407-2	Coil Plunger
b)	20-8716-5	Roll Pin
c)	01-1789	Armature Link
6	12-6227	Clip, Hair Pin
7	4700-00030-00	Washer, 1/2 o.d. x 17/64 i.d. x 15 ga.
8	4700-00103-00	Washer, 1/2 o.d. x 17/64 i.d. x .015 thk.
9	A-6950-R	Mounting Bracket Assembly

Ramp Exit Playfield Assembly

p/n C-11248

Part No.	Description	Part No.	Description
C-11249	Mini-playfield Assembly	4106-01019-08	Sh. Met. Screw, #6 x 1/2", P-RH-A
03-8044-9	Bumper Post	4106-01042-08	Sh. Met. Screw, #6 x 1/2", P-FLH-A
31-1006-549-7	Playfield Plastic	02-4195	Bumper Post
31-1006-549-2	Playfield Plastic	4406-01119-00	Nut, 6-32 Hex
31-1006-549-6	Playfield Plastic	4700-00090-00	Washer, .156 i.d. x .375 o.d. x .030
23-6535	Ball Guide Bumper	23-6302	Rubber Ring, 1"
23-6304	Rubber Ring		

Ramp Assembly

p/n D-11166

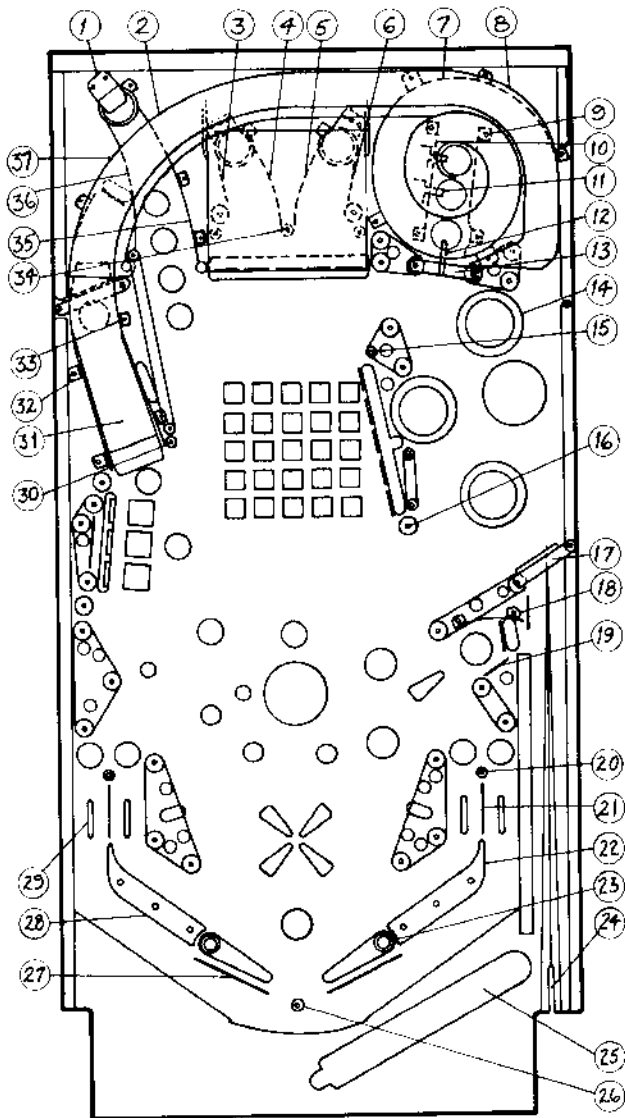
Part No.	Description	Part No.	Description
D-11167	Ramp Subassembly	01-8465	Insulator
A-11384	Ramp Wire & Bracket Assy	03-8044-9	Plastic Post
A-11331	Ramp R/over Wire Sw. Assy	23-6535	Ball Guide Bumper
01-3670-1	Switch Plate, Flat	03-7866-26	Playfield Insert
4404-01117-00	Nut, 4-40 Hex	03-7007-4	Switch Tubing
H-11329	Ramp Cable	4004-01005-10	Mach. Screw, 4-40 x 5/8, P-PH
4106-01019-08	Sh. Met. Screw, #6 x 1/2", P-RH-A		

Miscellaneous PIN•BOT Parts

Part No.	Description
31-1002-549	PIN•BOT Screened Playfield
31-1357-549	PIN•BOT Backglass
31-1401	Drop Target Decal
31-1006-549	PIN•BOT Plastics Set
5555-10779-00	Speaker, 8Ω, 30w, 4 x 10
20-9269	Standoff, 1/2", P-nut (on PCB)
01-6571	Mounting Bracket, Hinge, Insert Bd.
01-6652	Stop Bracket
01-6655	Latch - Insert Board
11-549-IN	PIN•BOT Wood Insert
5795-10868-14	Ribbon Cable, 26-conductor, 14"
5795-10937-06	Ribbon Cable, 20-conductor, 6"
5795-10938-22	Ribbon Cable, 26-conductor, 22"
5795-09941-00	Ribbon Cable, 20-conductor, 18"
03-7960-549-1	Playfield Mylar*
01-8431	Playfield Post Adj Nut Plate
31-1402-1	Helmet Cover (over ramp)*
31-1402-2	Visor Cover*
31-1402-3	NASA Ramp Cover (left side)*
31-1402-4	Right Ramp Cover*
31-1402-5	Shuttle Decal (assembles on C-11299)*
31-1402-6	20,000 (Vortex upper)*
31-1402-7	100,000 (Vortex middle)*
31-1402-8	Vortex Exit*
31-1402-9	5,000 (Vortex lower)*

* available separately

Playfield Parts



Item	Part No.	Description
1	01-6933	Eject Hole Stop
2	D-11166	Ramp Assembly
3	12-6466-6	Ballguide Wire
4	A-11242	Left Ball Guide Assembly
5	A-11241	Right Ball Guide Assembly
6	12-6466-6	Ballguide Wire
7	B-11152	"Vortex" Ramp (less decals)
8	B-11111	Ball Guide Assembly
9	A-11120	Ball Guide Assembly
10	A-11118	Ball Guide & Wire Assembly
11	B-11155	Switch Bracket & Wire Assembly
a)	12-6688	Switch Actuator
b)	03-7796-1	Washer, Target Shaft
c)	12-6685	Switch Wireform
d)	A-11115	Switch Bracket Assembly
12	A-5844-35	Rollover Wire & Bracket
13	A-9465-R	Ballgate Assembly
a)	01-6991	Ballgate Bracket
b)	12-6565	Ballgate Wire
14		Jet Bumper Cap
15	02-4008	Playfield Post
16	02-	Playfield Post
17	A-11126	Balls shooter Gate Assembly
18	A-11240	Ballguide Assembly
19	12-6466-4	Wireform
20	02-4008	Playfield Post
21	12-6466-8	Wireform, 2"
22	A-8108-R	Flipper Return Frame
23	20-9250-3	Flipper & Shaft
24	A-5844-46	Rollover Wire & Bracket
25	A-5844-44	Rollover Wireform & Bracket
26	02-4195	Bumper Post, 6-32 Mach. Screw
27	12-6468	Anti-rebound Wire
28	A-8108-L	Flipper Return Frame
29	A-5844-35	Rollover Wireform & Bracket
30	02-4056	Bumper Post
31	B-11239	Lift Ramp Assembly
32	C-11245	Left Guard Rail Assembly
33	B-11243	Right Guard Rail Assembly
34	02-4036	Rubber Bumper
35	B-11247	Ball Guide Assembly
36	12-6469-4	Ball Guide Wire, 4-3/4"
37	D-11166	Ramp Assembly

Parts Not Shown:

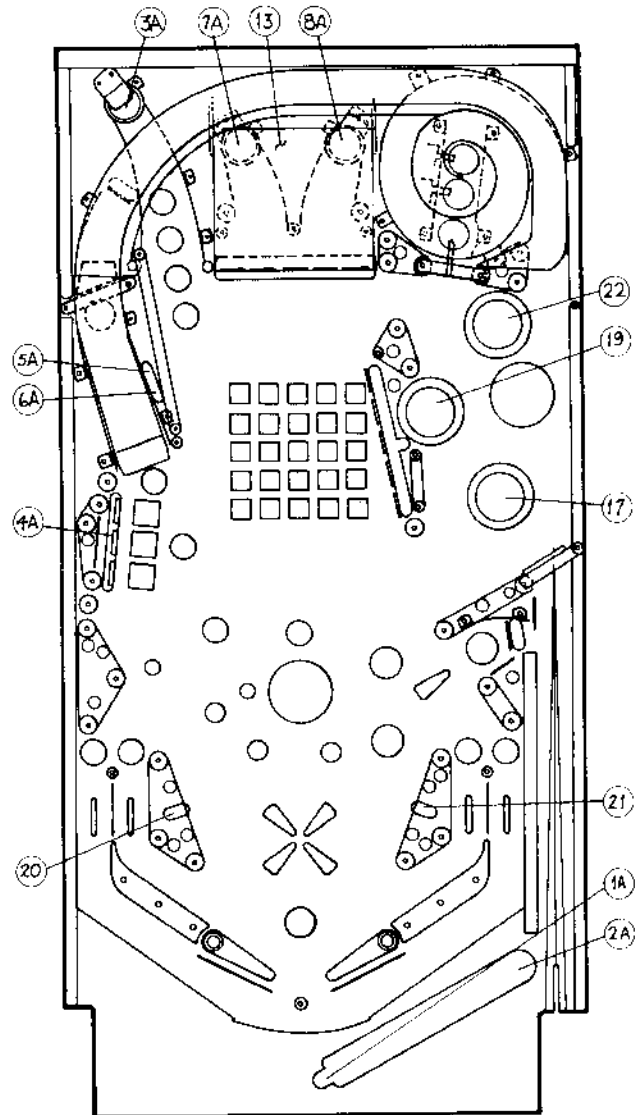
C-11299	Vortex Ramp Cover
C-11248	Ramp Exit Playfield Assembly
C-11236	Ball Chute
C-11385	Helmet Assembly
C11159	Visor Assembly

Ramp Mounting Posts:

02-4269-1	3-5/16"
02-4269-2	2-3/4"
02-4275-1	3-1/2"
02-4275-2	3-3/8"
02-4275-3	3-1/16"
02-4275-4	2-15/16"

Solenoids/ Flashers

Item	Part No.	Description
1A	AE-23-800-01	Outhole Kicker
1C	AE-23-800-02	Knocker
2A	AE-23-800-03	Ball Shooter Lane Feeder
2C	#89 Flashlamps	Upper P'fld & "Top" B. Box (#2)
3A	AE-23-800-03	Single Eject Hole
3C	#89 Flashlamps	Insert Board - Left
4A	AE-23-800-04	Drop Target (3-bank)
4C	#89 Flashlamps	Insert Board - Right
5A	AE-24-900-02	Ramp Raise
5C	#89 Flashlamps	Lower P'fld & "Top" B. Box (#1, outer)
6A	SM-26-600-DC	Ramp Down
6C	#89 Flashlamps	Energy Flashers
7A	AE-23-800-03	Left Eye Eject Hole (visor)
7C	#89 Flashlamps	Left Playfield Flasher
8A	AE-23-800-03	Right Eye Eject Hole (visor)
8C	#89 Flashlamps	Sun Flashers
9	#1251 Flashlamps	Robot Face - Insert Board
10	#1251 Flashlamps	Right Visor - Gen. Illumin.
11	5580-09555-00*	Gen. Illumin. Relay - Insert Bd.
12	5580-09555-00*	Gen. Illumin. Relay - Playfield
13	5580-09555-00*	Visor Motor Relay
14	5580-09555-00*	Solenoid Select Relay
15	#89 Flashlamps	"Top" Backbox Flashers (#3)
16	#89 Flashlamps	"Top" Backbox Flashers (#4, center)
17	AE-23-800-03	Lower Jet Bumper
18	#1251 Flashlamps	Left Visor - Gen. Illumin.
19	AE-23-800-03	Left Jet Bumper
20	AE-23-800-03	Left Kicker
21	AE-23-800-03	Right Kicker
22	AE-23-800-03	Upper Jet Bumper
-	FL 23/600-30/2600-50VDC	Right Flipper
-	FL 23/600-30/2600-50VDC	Left Flipper

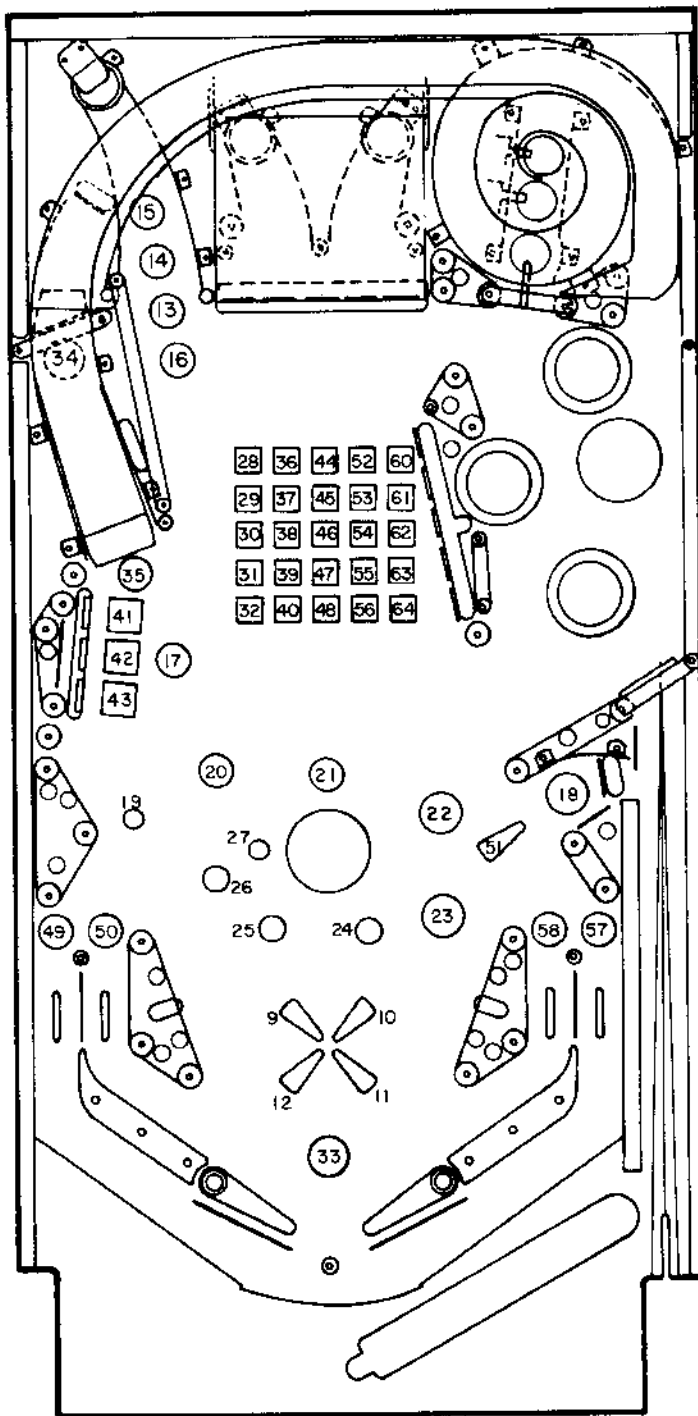


* - with Relay Snubber, C-11232-1

Rubber Parts

Item	Part No.	Description	Item	Part No.	Description
A	23-6300	5/16" Ring	H	23-6313-1	Grommet
B	23-6303	1-1/4" Ring	I	23-6327	Ball Shooter Tip
C	23-6304	1-1/2" Ring	J	23-6420	Grommet
D	23-6305	2" Ring	K	23-6519-4	Red Ring
E	23-6306	2-1/2" Ring	L	23-6535	Bumper
F	23-6307	3" Ring	M	23-6552	Sleeving
G	23-6308	3-1/2" Ring	N	23-6579	3/4" Tapered Bumper

Lamps



Lamp Location/Description

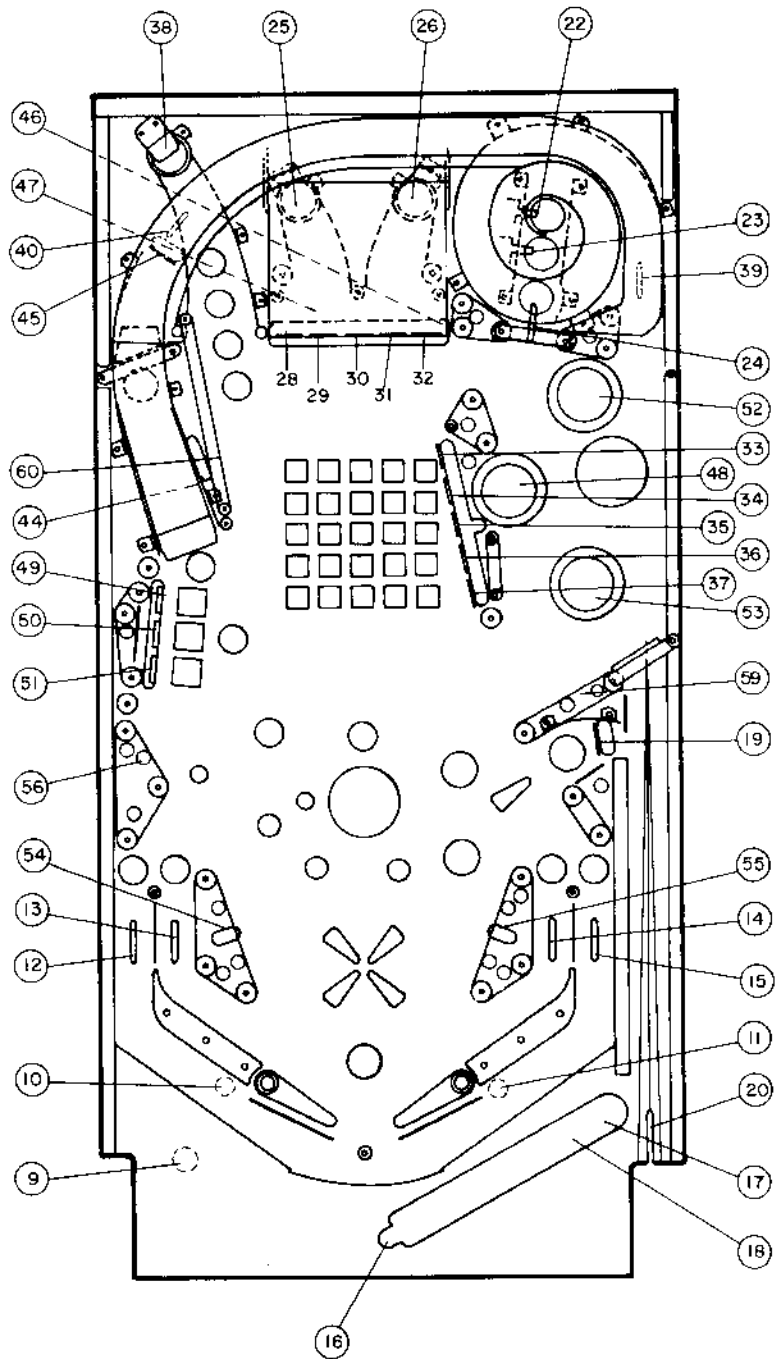
- 1 Game Over (Backbox)
- 2 Match (Backbox)
- 3 Ball In Play (Backbox)
- 4 Mouth 1 (Backbox left)
- 5 Mouth 2 (Backbox)
- 6 Mouth 3 (Backbox)
- 7 Mouth 4 (Backbox)
- 8 Mouth 5 (Backbox)
- 9 2X
- 10 3X
- 11 4X
- 12 5X
- 13 Single Eject's 25K
- 14 Single Eject's 50K
- 15 Single Eject's 75K
- 16 Single Eject's Lites Ex. Ball
- 17 Drop Target Single Timer
- 18 Advance Planet
- 19 Pluto
- 20 Neptune
- 21 Uranus
- 22 Saturn
- 23 Jupiter
- 24 Mars
- 25 Earth
- 26 Venus
- 27 Mercury
- 28 Yellow 1 (upper)
- 29 Yellow 2
- 30 Yellow 3 (middle)
- 31 Yellow 4
- 32 Yellow 5 (lower)
- 33 Shoot Again (Playfield)
- 34 Score Energy
- 35 Solar Energy Value
- 36 Blue 1 (upper)
- 37 Blue 2
- 38 Blue 3 (mid)
- 39 Blue 4
- 40 Blue 5 (lower)
- 41 Drop Target (upper)
- 42 Drop Target (middle)
- 43 Drop Target (lower)
- 44 Amber 1 (upper)
- 45 Amber 2
- 46 Amber 3 (mid)
- 47 Amber 4
- 48 Amber 5 (lower)
- 49 Left Outlane Ex. Ball
- 50 Left Return Ex. Ball
- 51 Special
- 52 Green 1 (upper)
- 53 Green 2
- 54 Green 3 (mid)

Lamp Location/Description

- 55 Green 4
- 56 Green 5 (lower)
- 57 Right Outlane Ex. Ball
- 58 Right Return Ex. Ball
- 59 Not Used
- 60 Red 1 (upper)
- 61 Red 2
- 62 Red3 (mid)
- 63 Red 4
- 64 Red 5 (lower)

Switches

Item	Part No.	Description
1	A-8476	Plumb Bob Tilt
2	B-6572	Ball Roll Tilt
3	SW-1A-126	Credit Button
4	904845*	Right Coin Chute (* - Coinco p/n)
5	904845*	Center Coin Chute
6	904845*	Left Coin Chute
7	904704*	Slam Tilt
8	5641-09369-00	High Score Reset
9	SW-1A-117	Playfield Tilt
10	SW-1A-150-1	Left Lane Change
11	SW-1A-150	Right Lane Change
12	SW-1A-124	Left Outlane
13	SW-1A-124	Left Return Lane
14	SW-1A-124	Right Return Lane
15	SW-1A-124	Right Outlane
16	17-1067	Outhole
17	5647-09957-00	Ball Trough #1 (lwr right)
18	5647-09633-00	Ball Trough #2
19	A-11055	Advance Planet
20	SW-1A-138	Ball Shooter Lane
21		Not Used
22	SW-1A-118	Vortex 20K
23	SW-1A-118	Vortex 100K
24	SW-1A-124	Vortex 5K (exit)
25	17-1012	Left Eye Eject
26	17-1012	Right Eye Eject
27		Not Used
28	SW-1A-161	Visor Target 1 (left, yellow)
29	SW-1A-163-1	Visor Target 2 (blue)
30	SW-1A-163-4	Visor Target 3 (amber)
31	SW-1A-163-2	Visor Target 4 (green)
32	SW-1A-163-3	Visor Target 5 (right, red)
33	SW-1A-163-1	Visor Target top, yellow)
34	A-11317-3	Right 5-bank (top, yellow)
35	A-11317-3	Right 5-bank (blue)
36	A-11317-3	Right 5-bank (amber)
37	A-11317-3	Right 5-bank (red)
38	17-1012	Single Eject
39	SW-1A-164	Ramp Exit
40	SW-1A-164	Ramp Entrance
41		Not Used
42		Not Used
43		Not Used
44	5647-12001-00	Ramp Down
45	A-11054	Score Energy (yellow)
46	5647-10529-00	Visor Closed
47	5647-10529-00	Visor Open
48	A-7459-7	Left Jet Bumper
49	17-1042	Left Drop Target (upper)
50	17-1042	Left Drop Target (mid)
51	17-1042	Left Drop Target (lower)
52	A-7459-7	Top Jet Bumper
53	A-7459-7	Bottom Jet Bumper
	SW-1010A-13	Flipper Button



Item	Part No.	Description
54	SW-1A-122	Left Kicker (scoring)**
55	SW-1A-122	Right Kicker (scoring)**
56	SW-1A-120	10 Point
57		Not Used
58		Not Used
59	SW-1A-120	10 Point
60	SW-1A-120	10 Point
61-64		Not Used

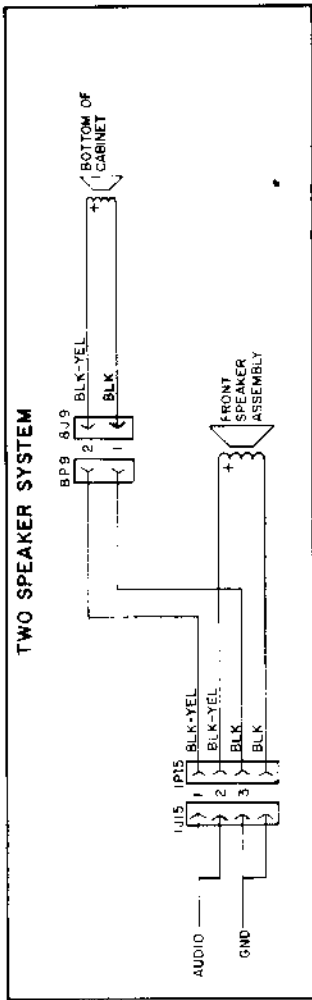
** [Kicker Actuating Sw: A-4834-H; B-8734 w/RC]

Section 3

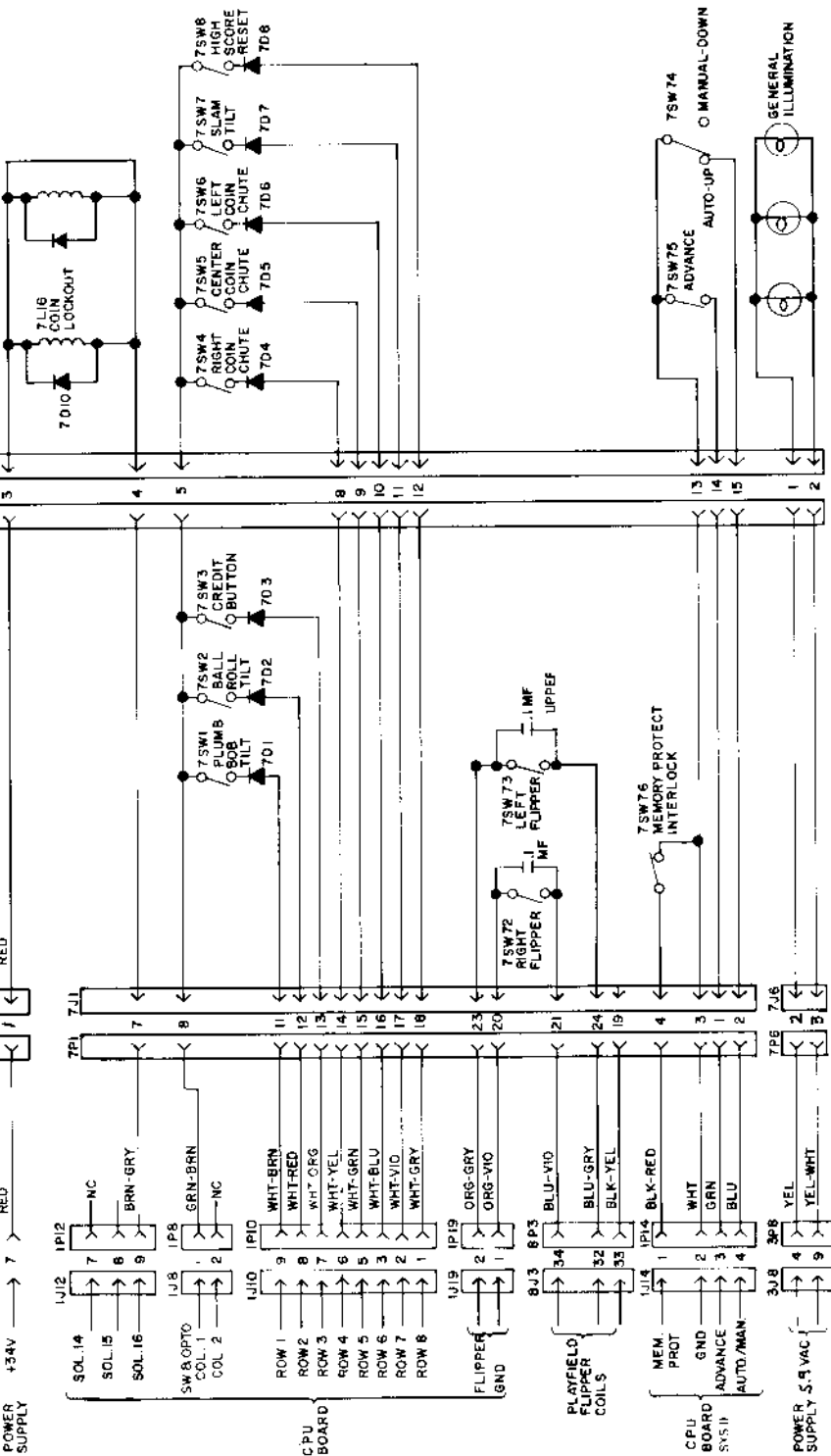
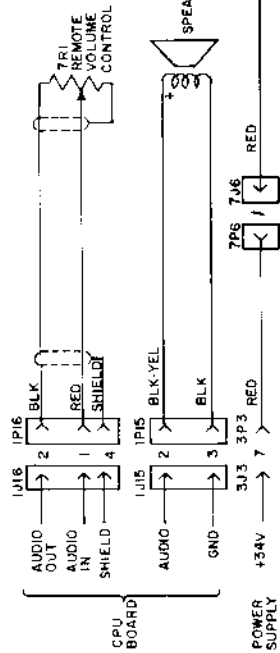
Reference Diagrams
&
Schematics

- **Diagrams and Schematics:**

- Cabinet Wiring**
- A/N Master Display Board**
- Background Music/Speech Board**
- Interboards Signals**
- CPU Board**
- Power Supply Board**
- Displays**
- Power Wiring**

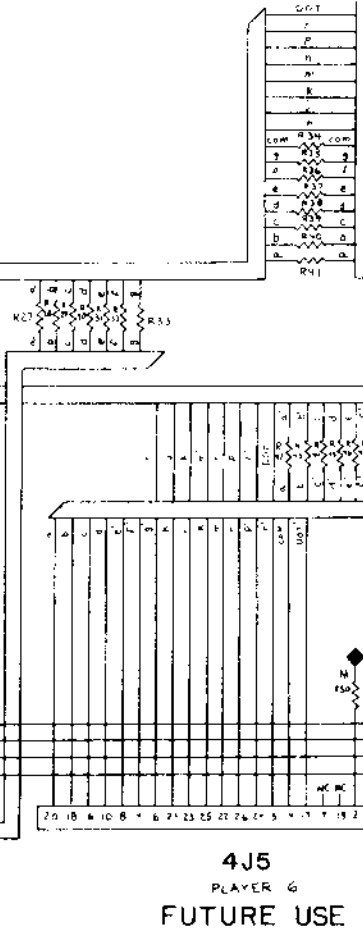
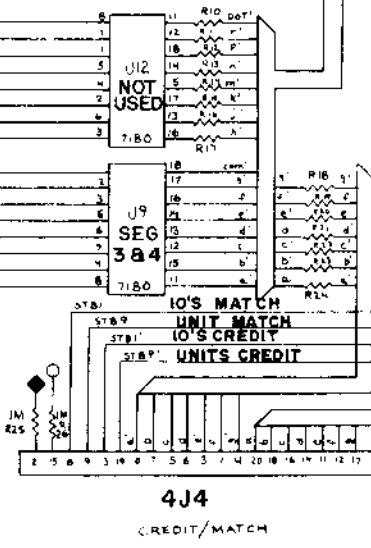
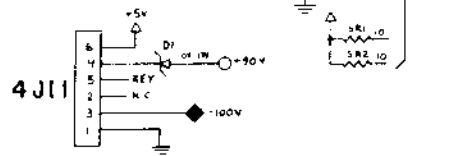
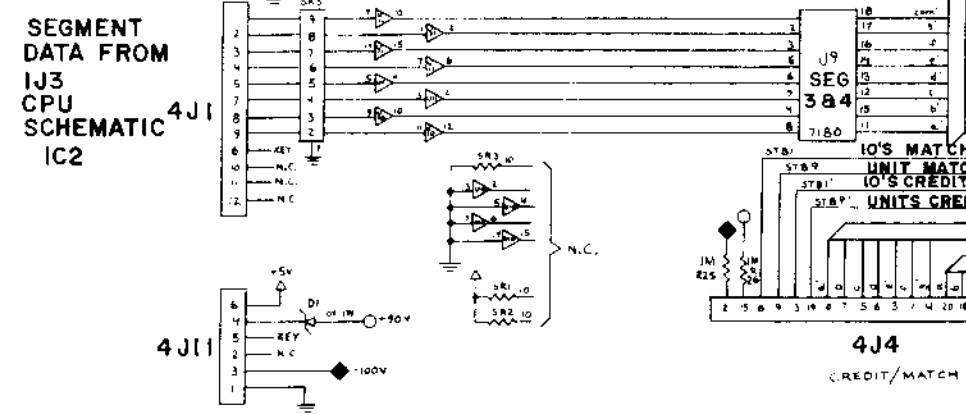
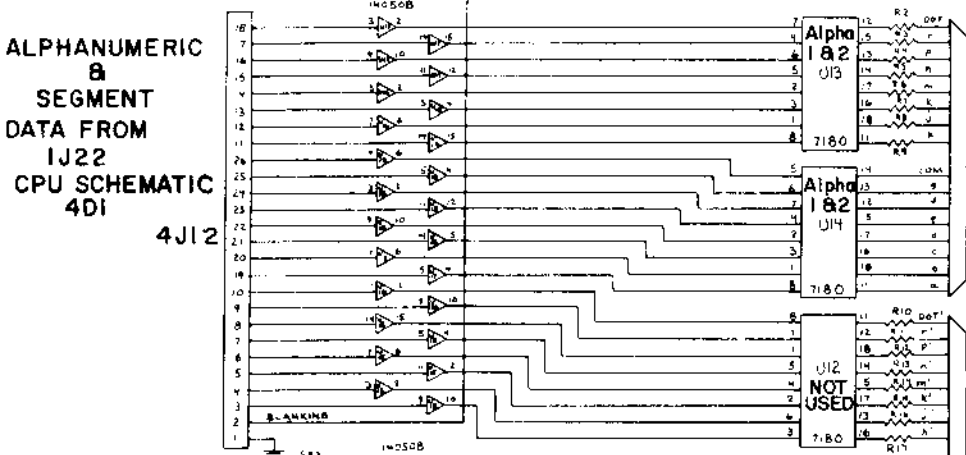
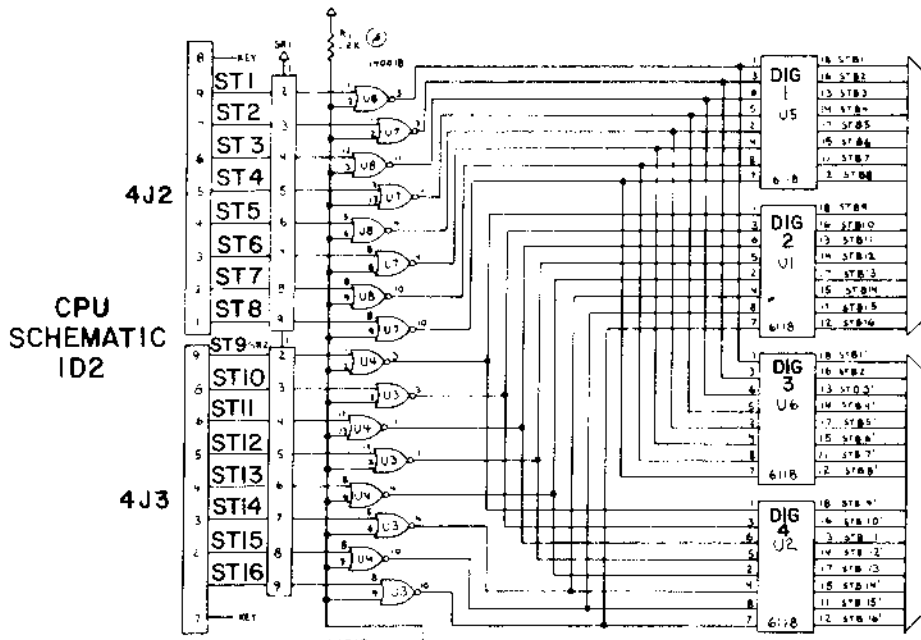


CABLE: H-8527



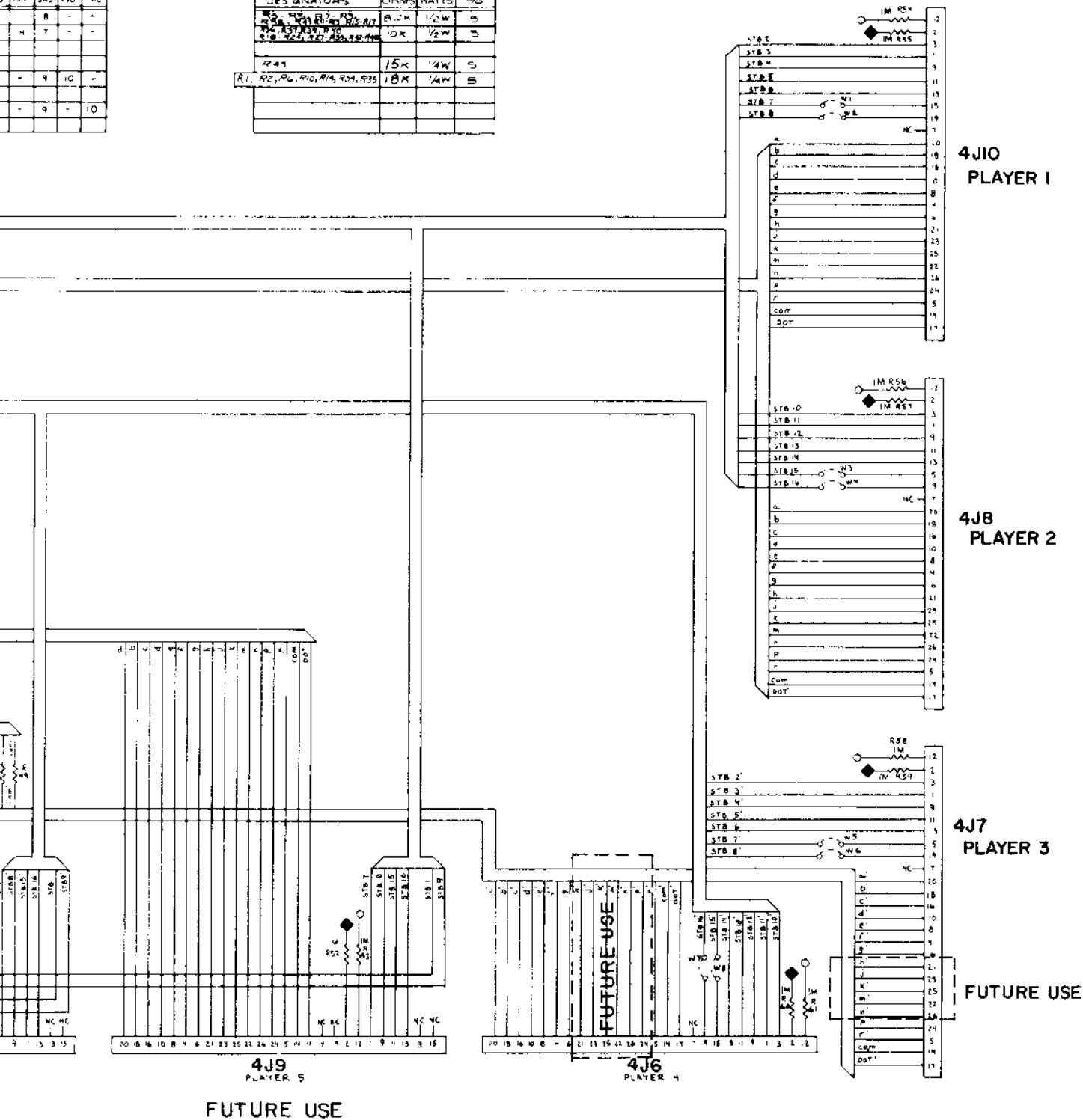
Cabinet Wiring Diagram

TYPE	REF DE
W050	U0
W001	U1
U00618	U1
U00618	U2

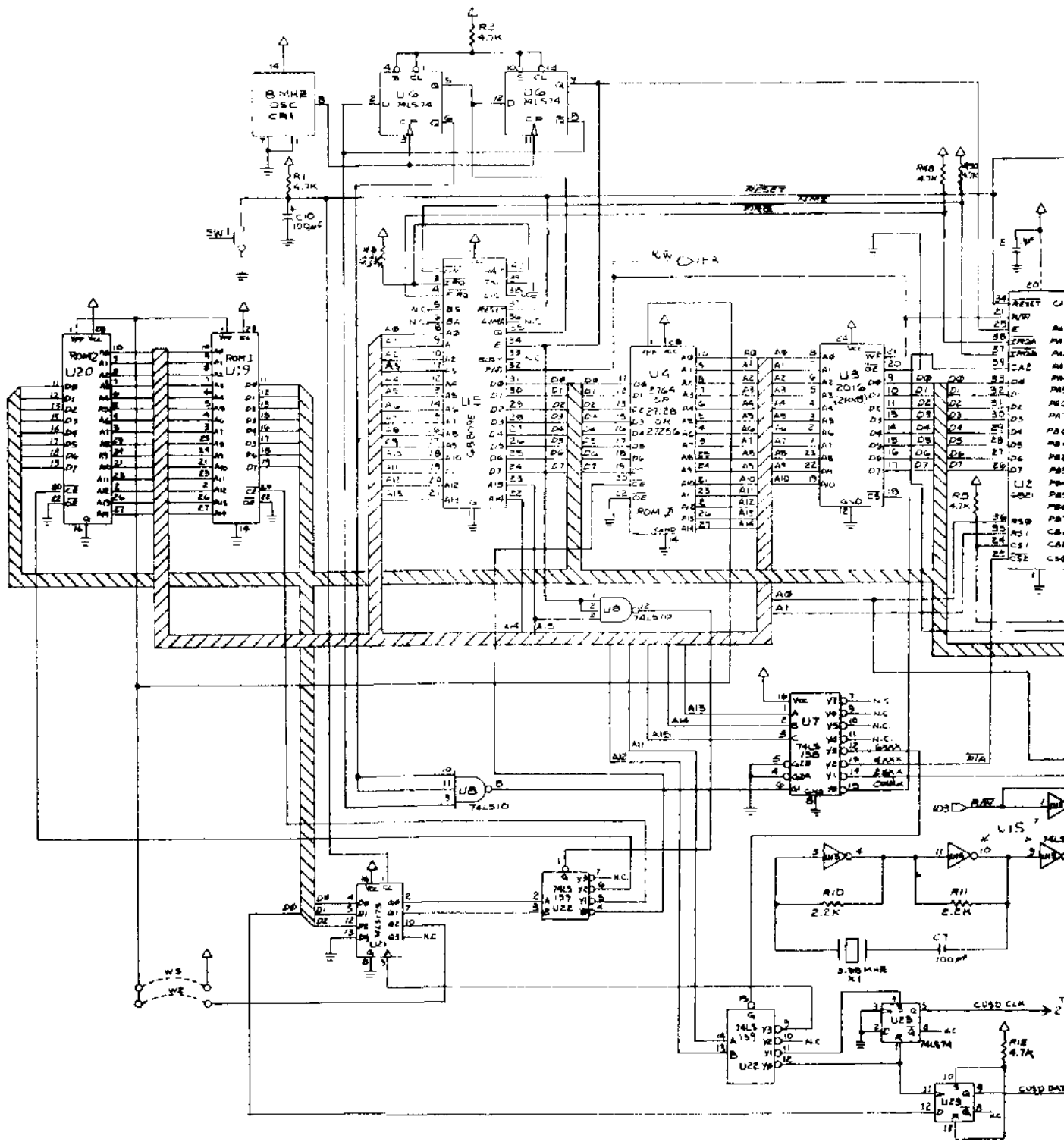


R TABLE			
S	10	100	1000
8	-	-	-
4	7	-	-
-	9	10	-
-	9	-	10

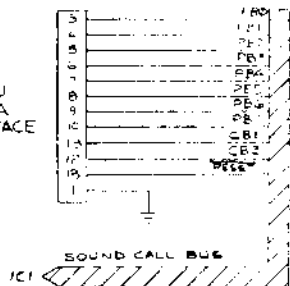
VALUE OF UNMARKED RESISTORS			
DESIGNATORS	OHMS	WATTS	%
R1, R2, R3, R4, R5, R6, R7, R8, R9, R10, R11, R12, R13, R14, R15, R16, R17, R18, R19, R20, R21, R22, R23, R24, R25, R26, R27, R28, R29, R30, R31, R32, R33, R34, R35, R36, R37, R38, R39, R40, R41, R42, R43, R44, R45, R46, R47, R48, R49, R50, R51, R52, R53, R54, R55, R56, R57, R58, R59, R60, R61, R62, R63, R64, R65, R66, R67, R68, R69, R70, R71, R72, R73, R74, R75, R76, R77, R78, R79, R80, R81, R82, R83, R84, R85, R86, R87, R88, R89, R90, R91, R92, R93, R94, R95, R96, R97, R98, R99, R100	10K	1/2W	5
R43	15K	1/4W	5
R1, R2, R3, R4, R5, R6, R7, R8, R9, R10, R11, R12, R13, R14, R15, R16, R17, R18, R19, R20, R21, R22, R23, R24, R25, R26, R27, R28, R29, R30, R31, R32, R33, R34, R35, R36, R37, R38, R39, R40, R41, R42, R43, R44, R45, R46, R47, R48, R49, R50, R51, R52, R53, R54, R55, R56, R57, R58, R59, R60, R61, R62, R63, R64, R65, R66, R67, R68, R69, R70, R71, R72, R73, R74, R75, R76, R77, R78, R79, R80, R81, R82, R83, R84, R85, R86, R87, R88, R89, R90, R91, R92, R93, R94, R95, R96, R97, R98, R99, R100	18K	1/4W	5



Alphanumeric Master Display Board Schematic

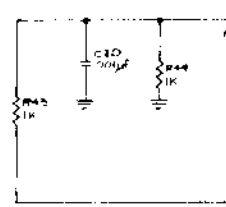
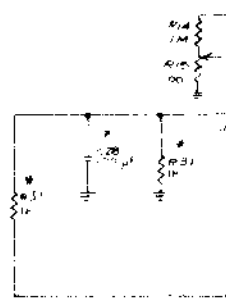
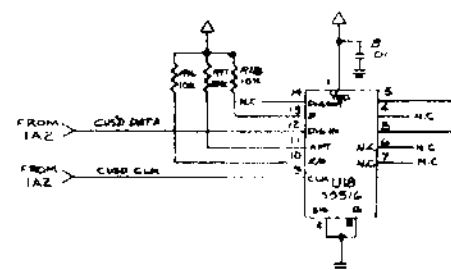
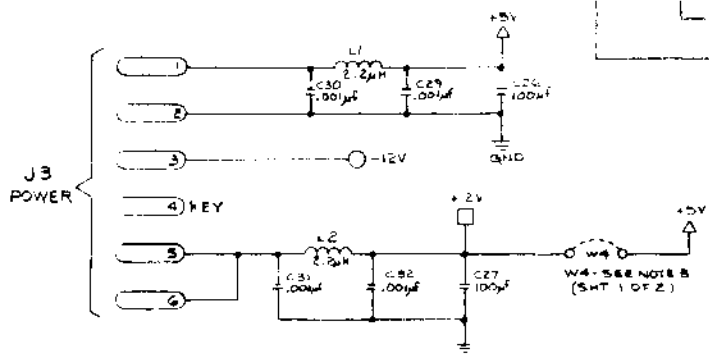


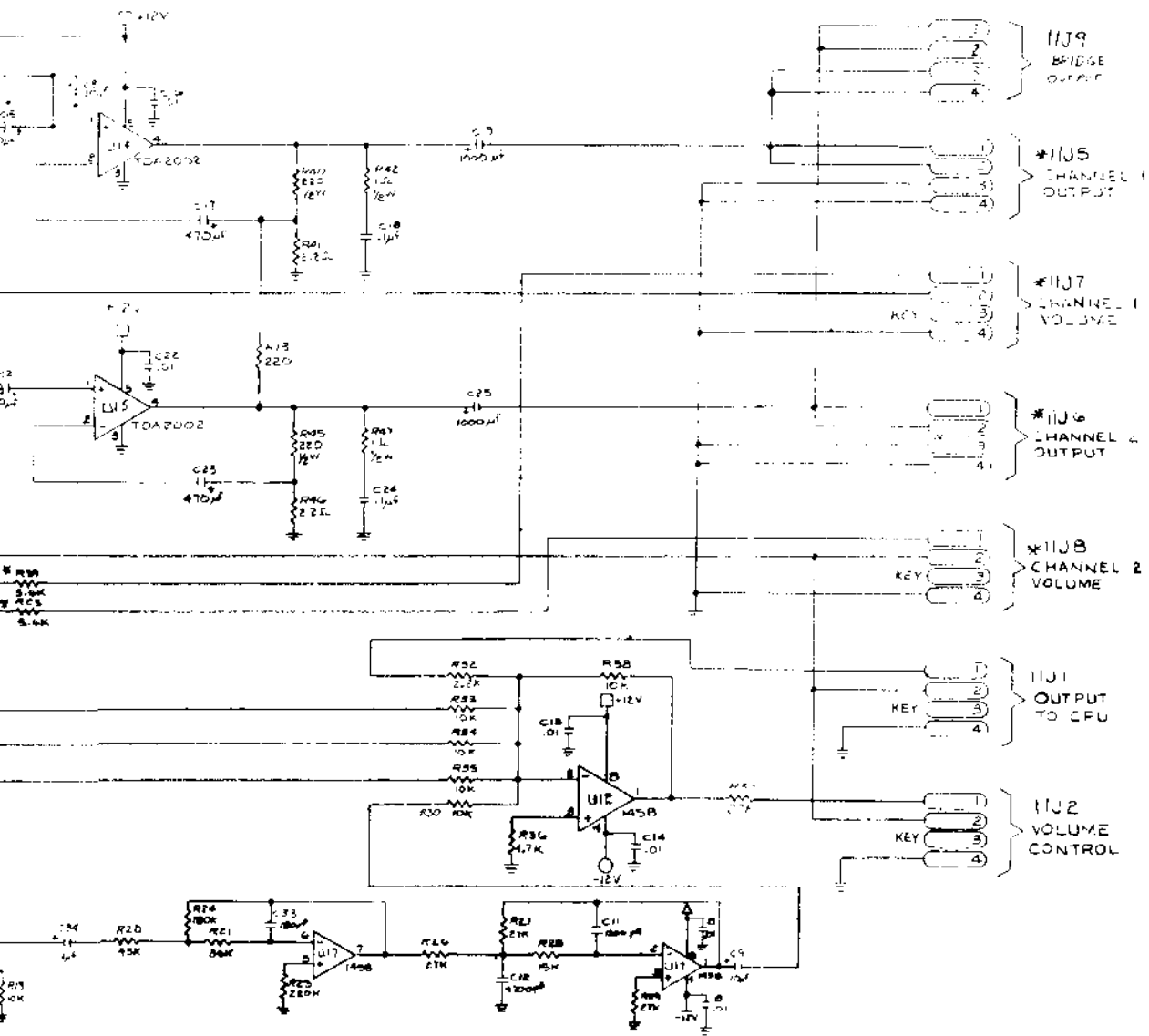
J4
CDU
DATA
INTERFACE



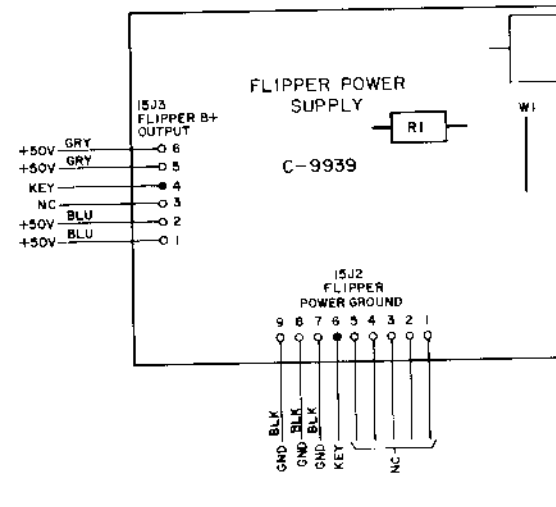
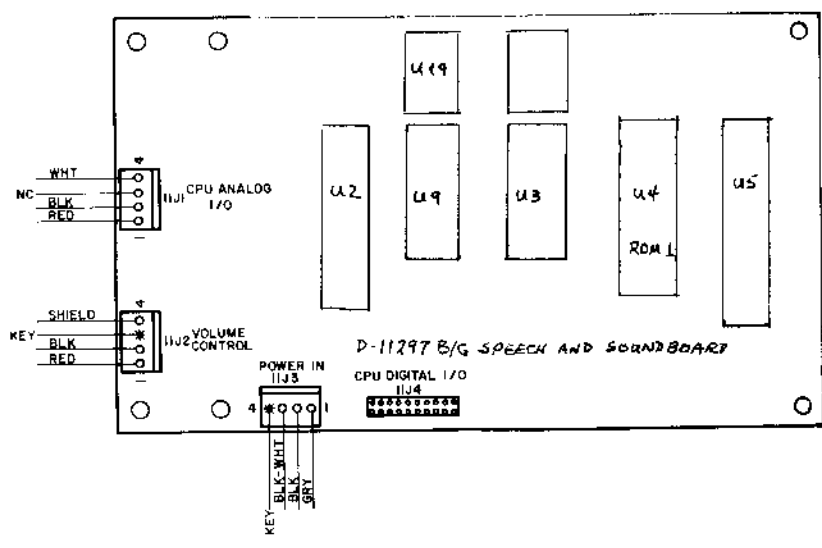
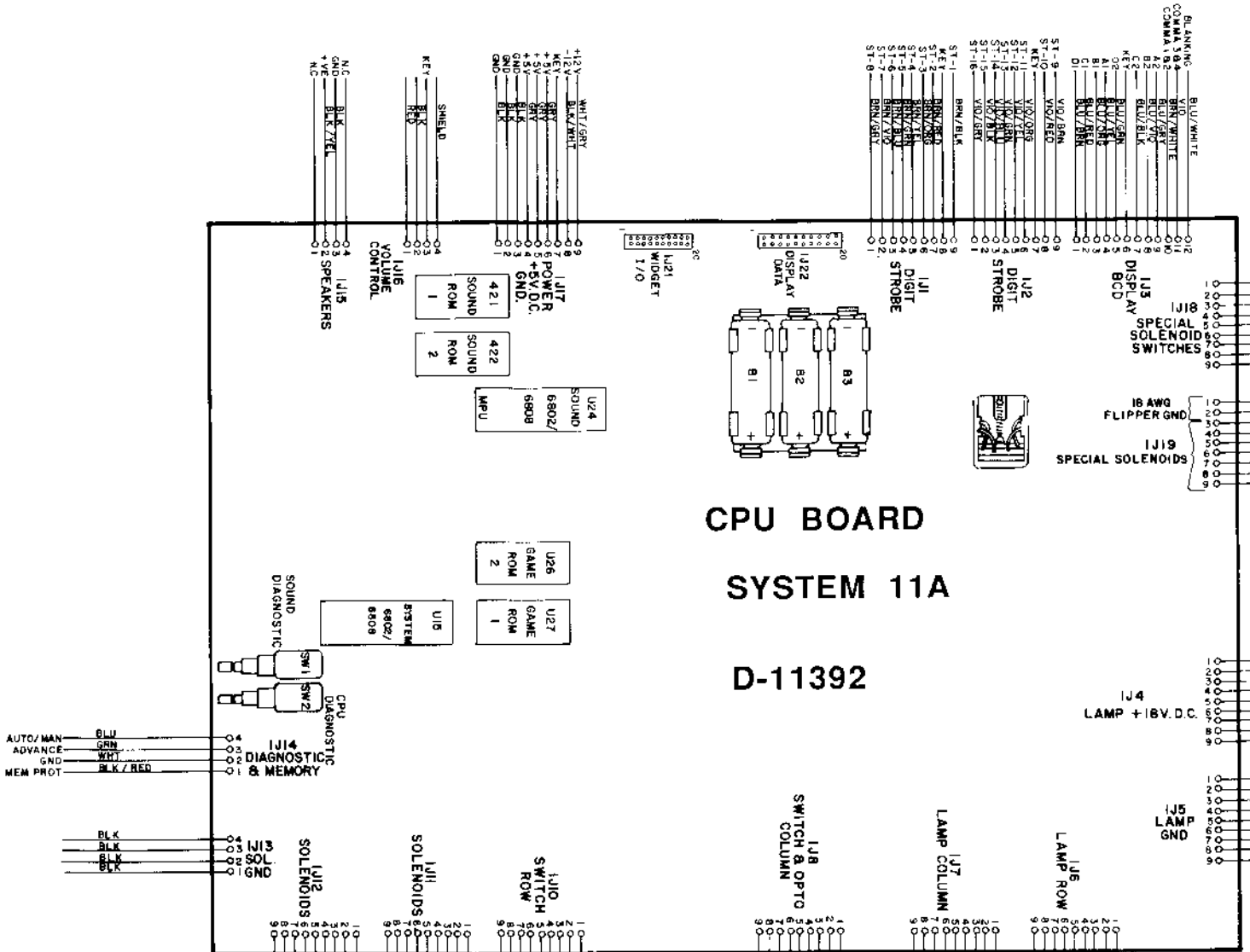
SOUND CALL BUG

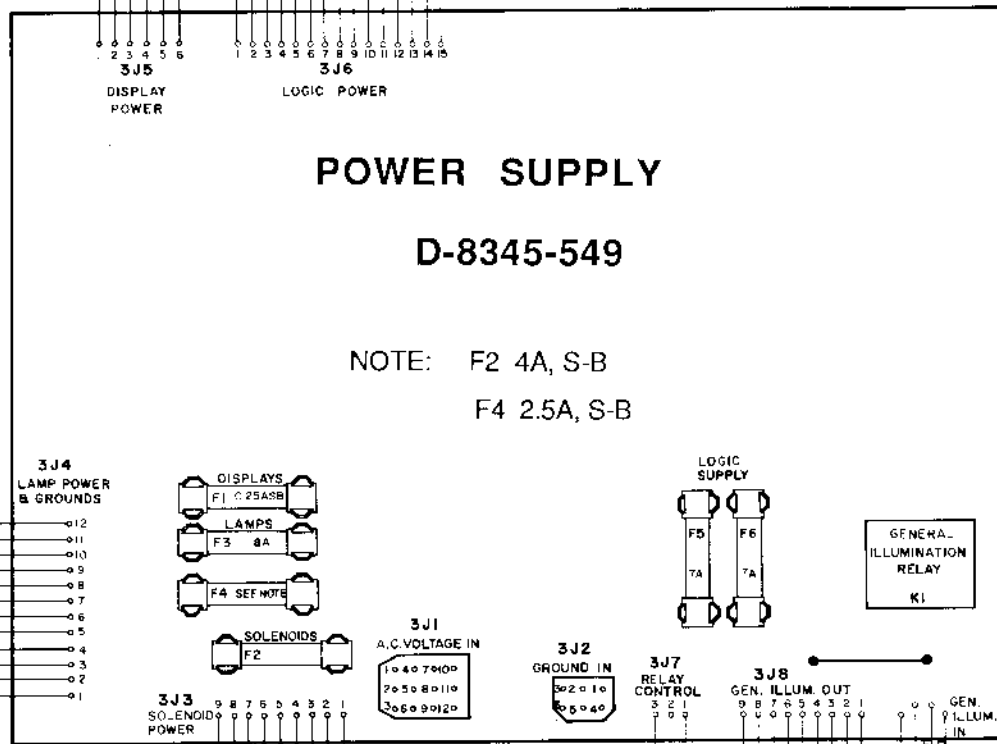
IB1 FM1
IA1 FM2
ID1 B4 SOUND





Alphanumeric Master Display Board (D-10877) Schematic





POWER SUPPLY

D-8345-549

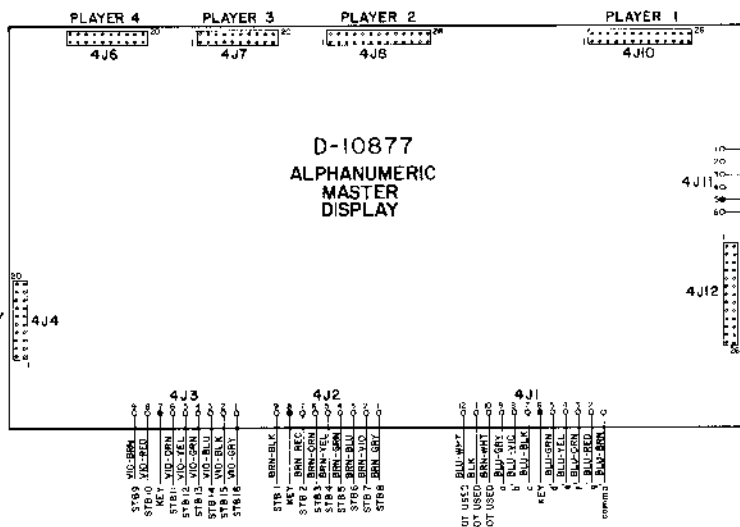
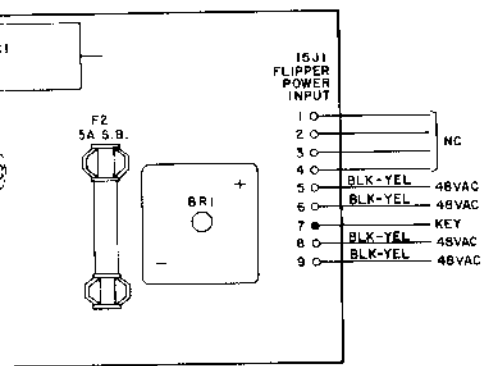
NOTE: F2 4A, S-B
F4 2.5A, S-B

- ORNG/BLK --- KEY
- ORNG/RED --- SP SOL - 3SW
- ORNG/RED --- SP SOL - 2SW
- ORNG/YEL --- SP SOL - 4SW
- ORNG/BRN --- SP SOL - 1SW
- N.C. ---
- N.C. ---
- ORNG/GRN --- SP SOL - 5SW
- ORNG/BLU --- SP SOL - 6SW

- ORNG/BLU --- KEY
- ORNG/GRY ---
- ORNG/ORG --- SP SOL - 3
- ORNG/RED --- SP SOL - 2
- ORNG/YEL --- KEY
- ORNG/BRN --- SP SOL - 4
- ORNG/GRN --- SP SOL - 1
- ORNG/BLU --- SP SOL - 5
- ORNG/BLK --- SP SOL - 6

Pin	Wire Color	Connection
1	VIO	Lamp Rectifier, + 18V DC
2	ORN	Solenoid Rectifier, +34V DC
3	ORN	Solenoid Rectifier, +34V DC
4	WHT	Transformer, 88.5V AC
5	---	
6	---	
7	---	
8	---	
9	WHT	Transformer, 88.5V AC
10	GRY-GRN	Transformer, 19-4V AC, 1Ø, C.T.
11	GRY	Transformer, 19-4V AC, 1Ø, C.T.
12	GRY-WHT	Transformer, 19-4V AC, C.T. Com.

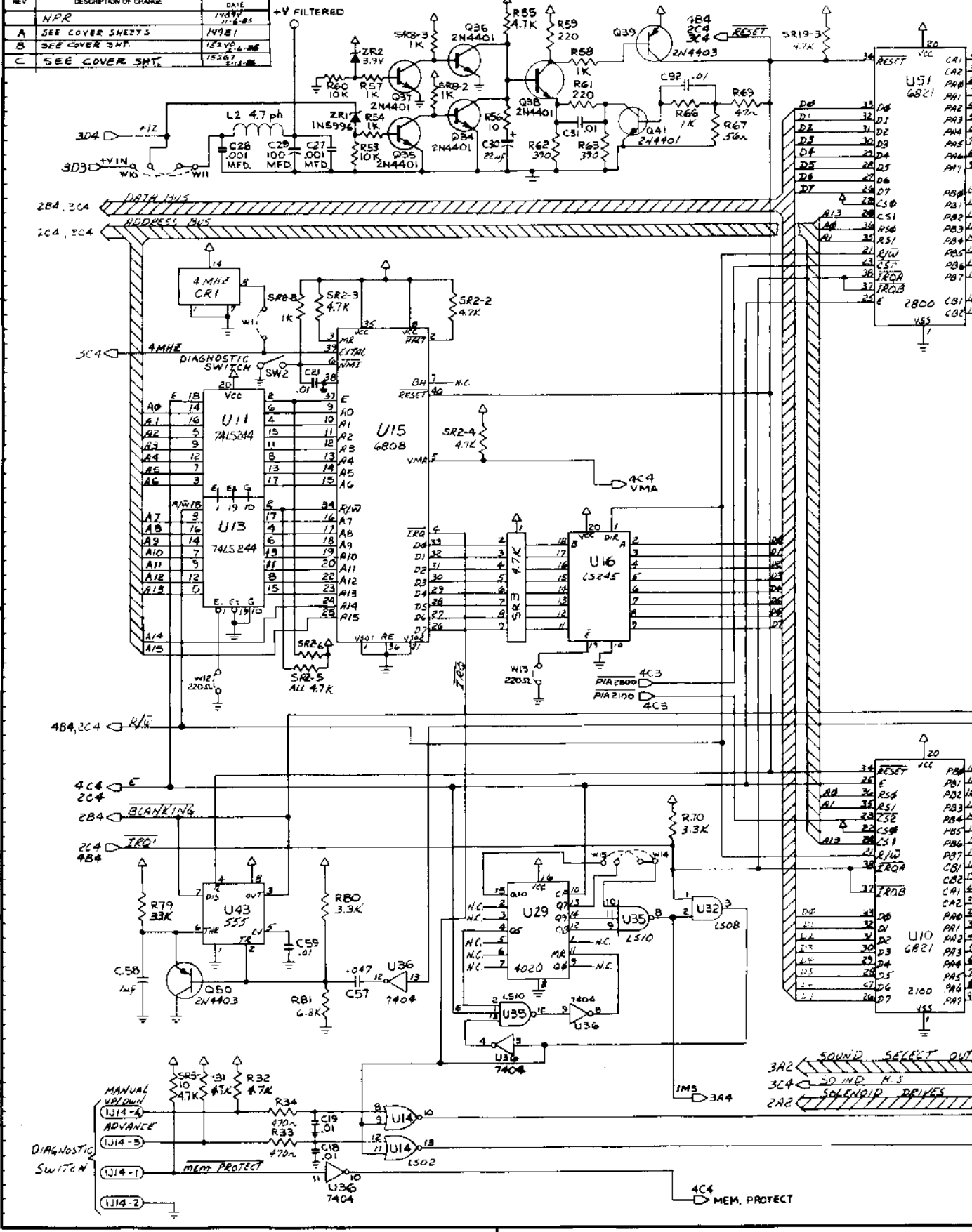
Pin	Wire Color	Connection
1	---	
2	---	
3	BLK	Lamp Rectifier (Gnd)
4	---	
5	---	
6	BLK	Lamp Rectifier (Gnd)

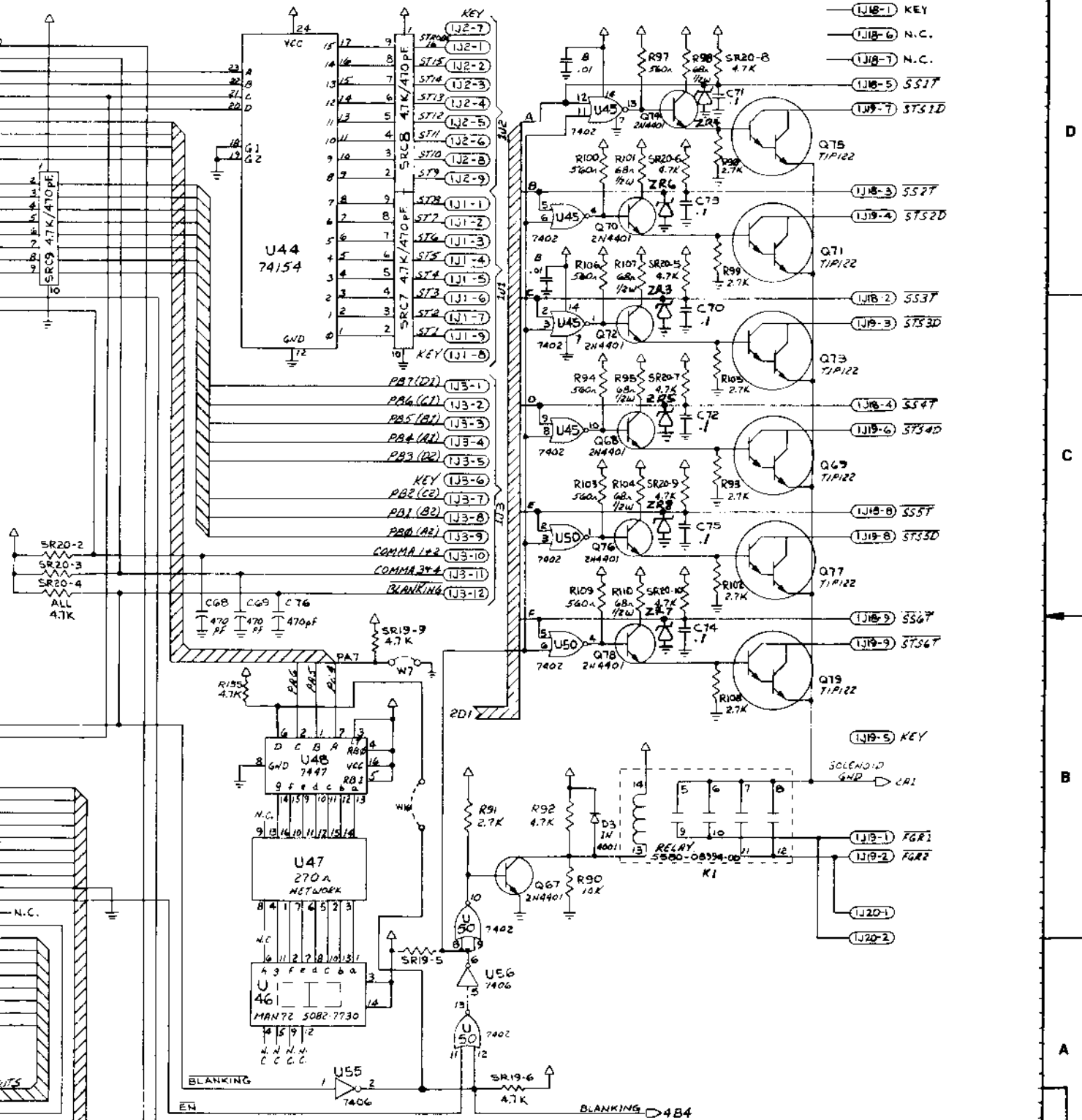


- 10 --- BLK --- GND
- 11 --- ORN --- NC
- 12 --- BRN --- 100 VDC POWER
- 13 --- WHT --- 100 VDC INPUT
- 14 --- GRN --- KEY
- 15 --- BLK --- +5 VDC

Interboards Signals Diagrams

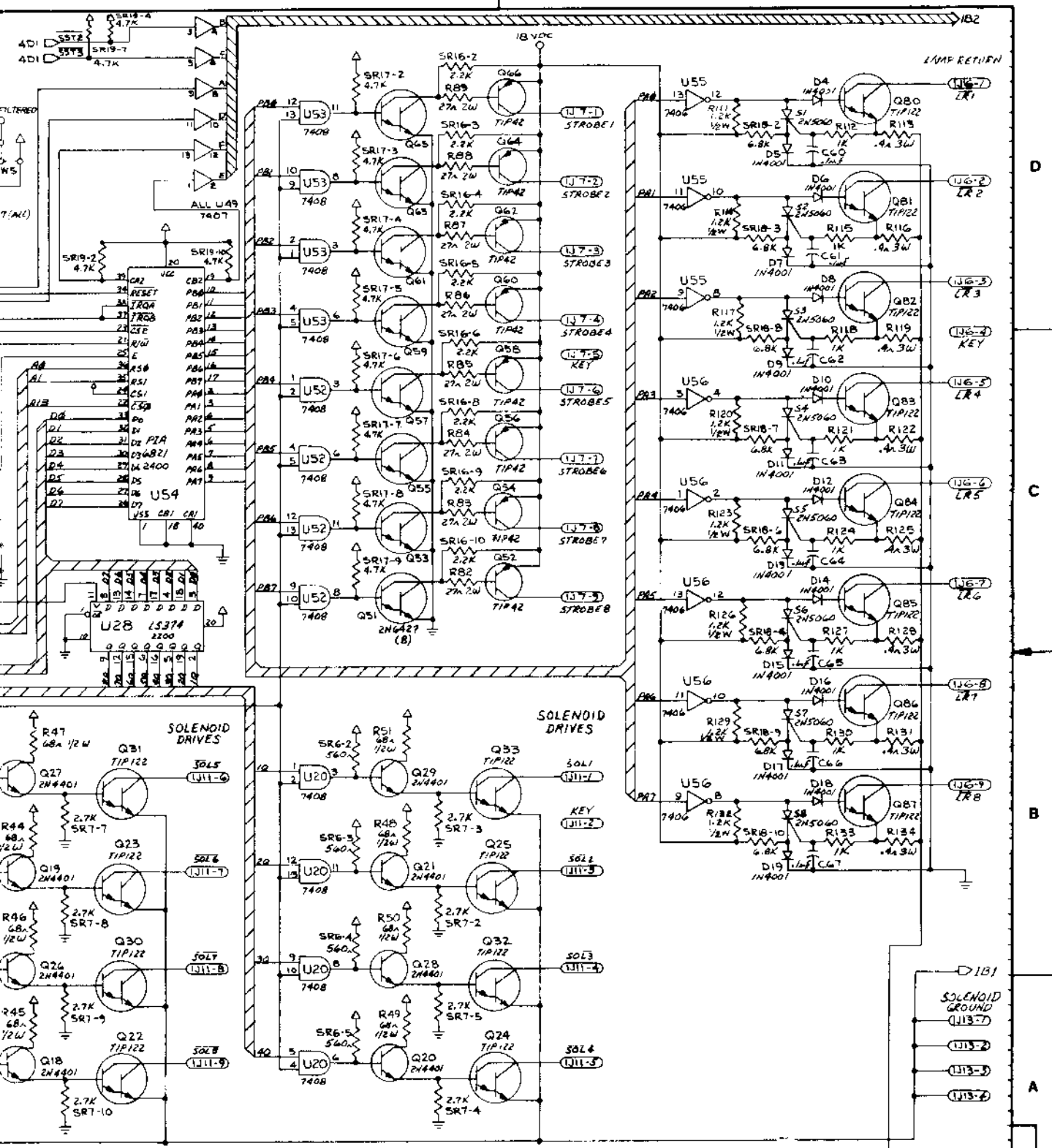
REV	DESCRIPTION OF CHANGE	ECN NO	DATE
	NPR	1498V	11-8-85
A	SEE COVER SHEETS	1498B1	
B	SEE COVER SMT.	153VP-6-86	
C	SEE COVER SMT.	1534P	5-21-86





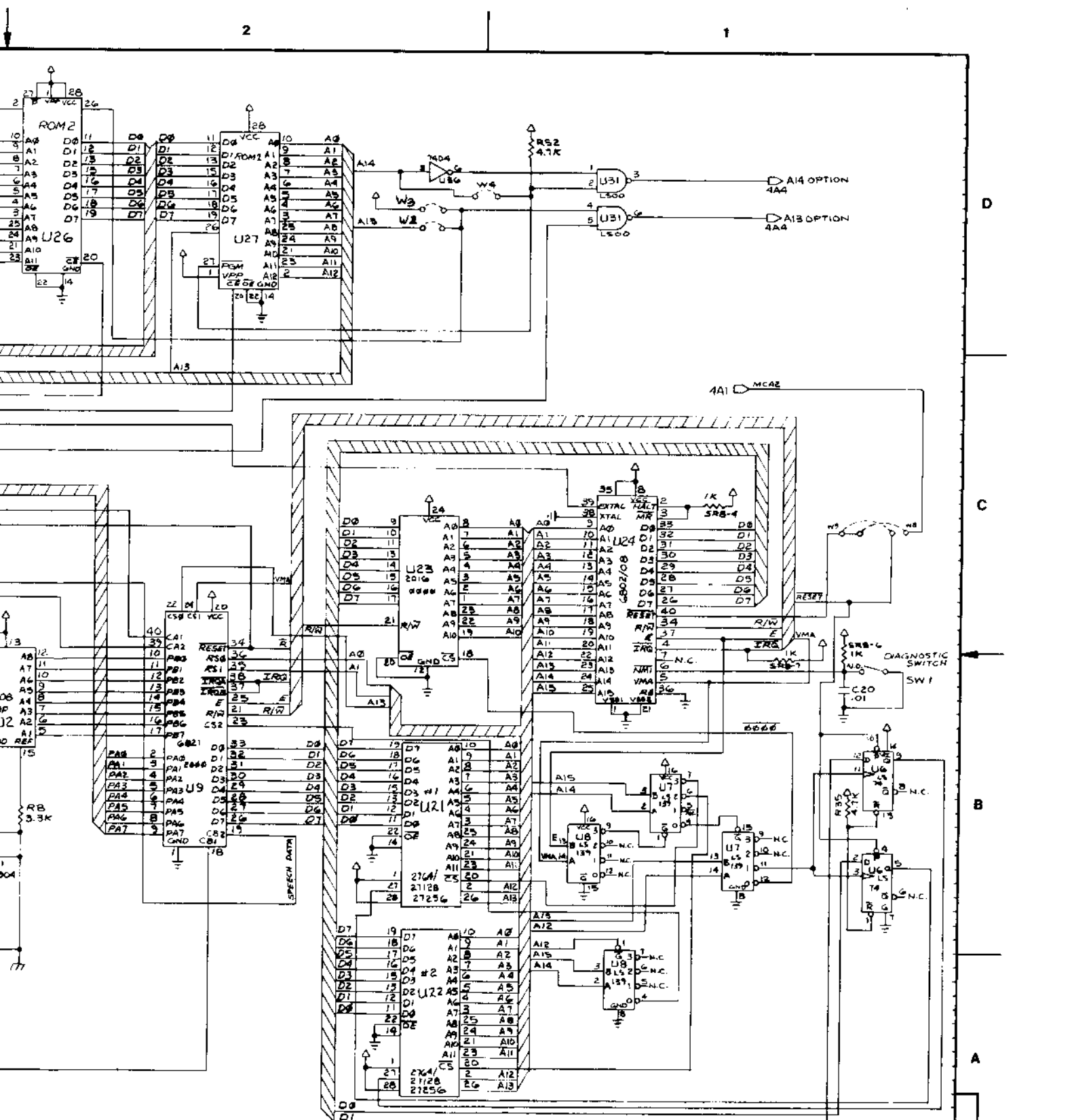
ITEM	PART NUMBER	DESCRIPTION	QTY	ITEM	PART NUMBER	DESCRIPTION	QTY
PROJ ENGR M. LOFFREDO		DO NOT SCALE WORK TO DIMENSIONS SHOWN		REMOVE BURRS - BREAK SHARP EDGES		WILLIAMS ELECTRONICS, INC.	
DWN BY ROSS 9-11-85		FIRST PROJECT NO 541		TOLERANCES UNLESS OTHERWISE SPECIFIED		3401 N. CALIFORNIA AVE CHICAGO IL 60618	
CHECKED BY DATE		FIRST USAGE D-10880		FRACTIONAL 1/64 ANGULAR 15°		NAME SCHEMATIC, CPU S1S11	
APPROVAL DATE		QTY		DECIMAL .005 FILLETS .020 MAX		SCALE SHT 1 OF 4	
16-8947 4-6-85		-		MATERIAL H		PART NO 16-8947	
						REV C	

Schematic, System 11 CPU Board (16-8947, Sheet 1 of 4)



ITEM	PART NUMBER	DESCRIPTION	QTY	ITEM	PART NUMBER	DESCRIPTION	QTY
PROJ ENGR M. LOFFREDO		DO NOT SCALE WORK TO DIMENSIONS SHOWN		REMOVE BURRS - BREAK SHARP EDGES TOLERANCES UNLESS OTHERWISE SPECIFIED		WILLIAMS ELECTRONICS, INC.	
OWN BY ROSS		DATE 9-11-85		FRACTIONAL 1/64 ANGULAR		3401 N CALIFORNIA AVE CHICAGO IL 60618	
CHECKED BY DATE		FIRST PROJECT NO 541		DECIMAL ±.005 FILLETS		NAME SCHEMATIC, CPU 545 11	
APPROVAL DATE		FIRST USAGE D-10880		MATERIAL		SCALE X	
		QTY -				SHT 2 OF 4	
						PART NO 16-8947	
						REV C	

Schematic, System 11 CPU Board (16-8947, Sheet 2 of 4)



ITEM	PART NUMBER	DESCRIPTION	QTY	ITEM	PART NUMBER	DESCRIPTION	QTY
PROJ ENGR M LOFFREDO		DO NOT SCALE WORK TO DIMENSIONS SHOWN		REMOVE BURRS - BREAK SHARP EDGES		WILLIAMS ELECTRONICS, INC.	
OWN BY DATE ROSS 9/14/85		FIRST PROJECT NO 541		TOLERANCES UNLESS OTHERWISE SPECIFIED		3401 N CALIFORNIA AVE CHICAGO IL 60618	
CHECKED BY DATE W 11-4-85		FIRST USAGE D-10880		FRACTIONAL _____ ±1/64 ANGULAR _____ °		NAME SCHEMATIC, CPU SYS. 11	
APPROVAL DATE		MATERIAL		DECIMAL _____ ±.005 FILLETS _____ 020 MAX		SCALE 7	
DATE		QTY		SCALE		PART NO 16-8947	
DATE		QTY		SCALE		REV C	

Schematic, System 11 CPU Board (16-8947, Sheet 3 of 4)

PIN-BOT 61

REV.	DESCRIPTION OF CHANGE	ECN NO. DATE
	N. P. R.	17897 11-18-85
A	SEE COVER SHEETS	17481 11-19-85
B	SEE COVER SHT.	15240 2-5-86
C	SEE COVER SHT.	15267 8-7-86

D

C

B

A

1A3 MEM. PROTECT

2C4 1B4 E

1C3 VMA

2C4 1B4 B/W

3C4 2C4 1D4 RESET

2C4 1A4 IRQ

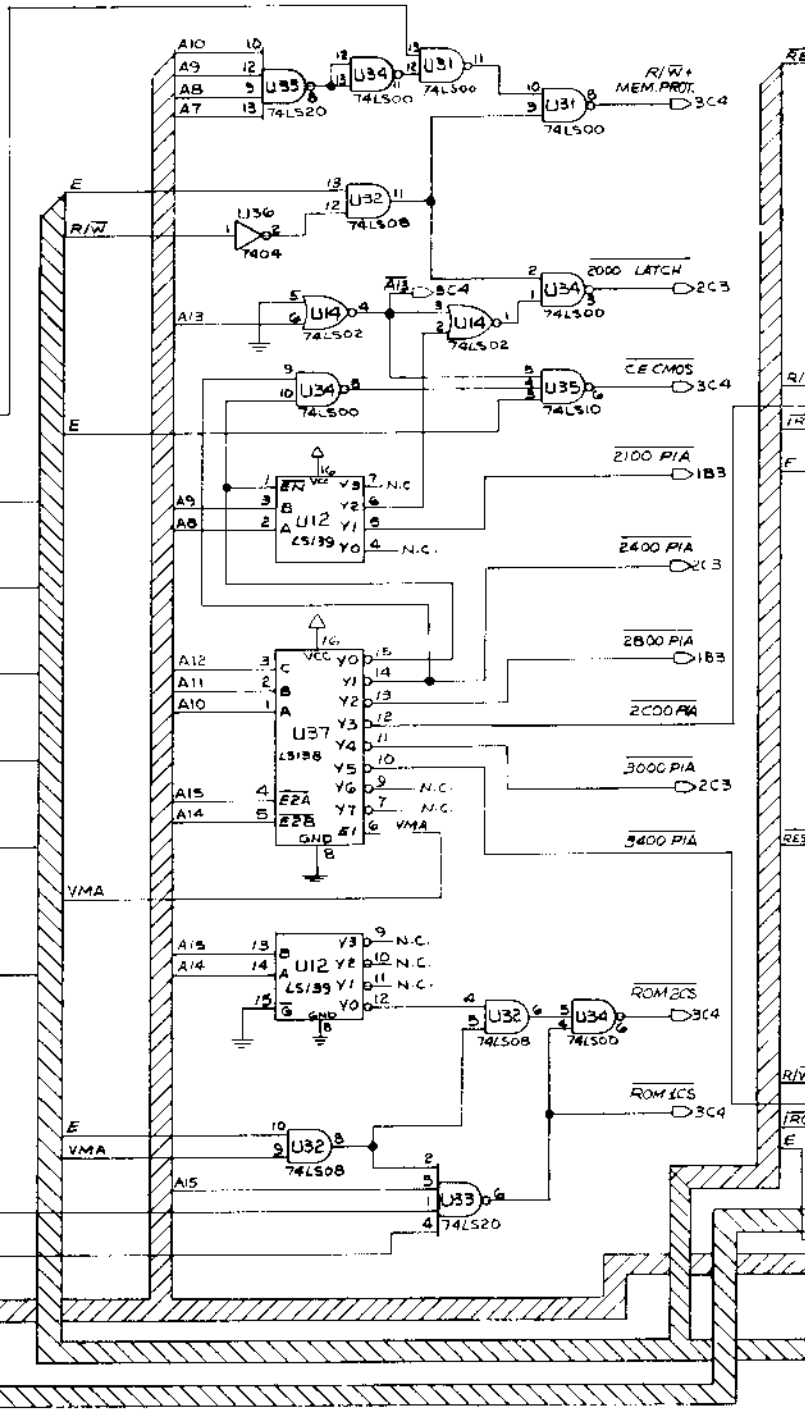
1A1 BLANKING

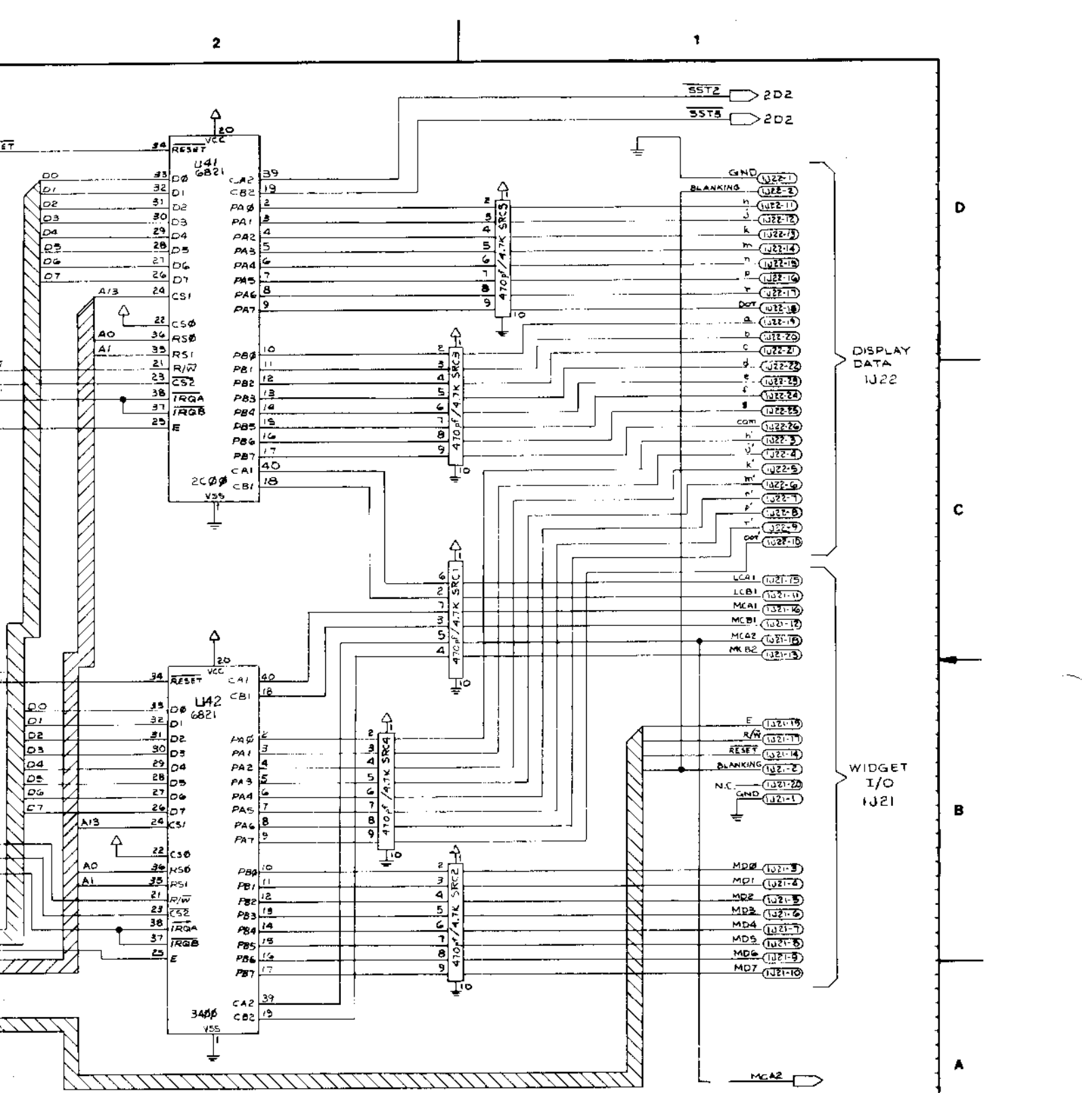
3D1 A14 OPTION

3D1 A13 OPTION

ADDRESS BUS

DATA BUS



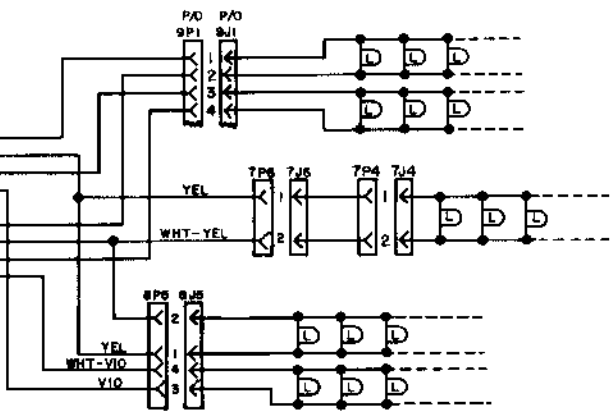
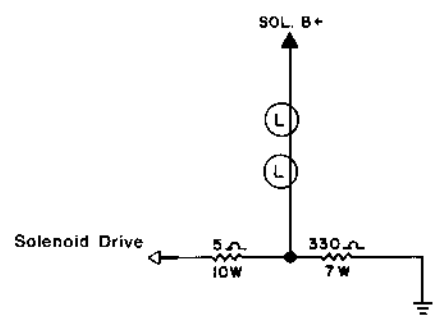
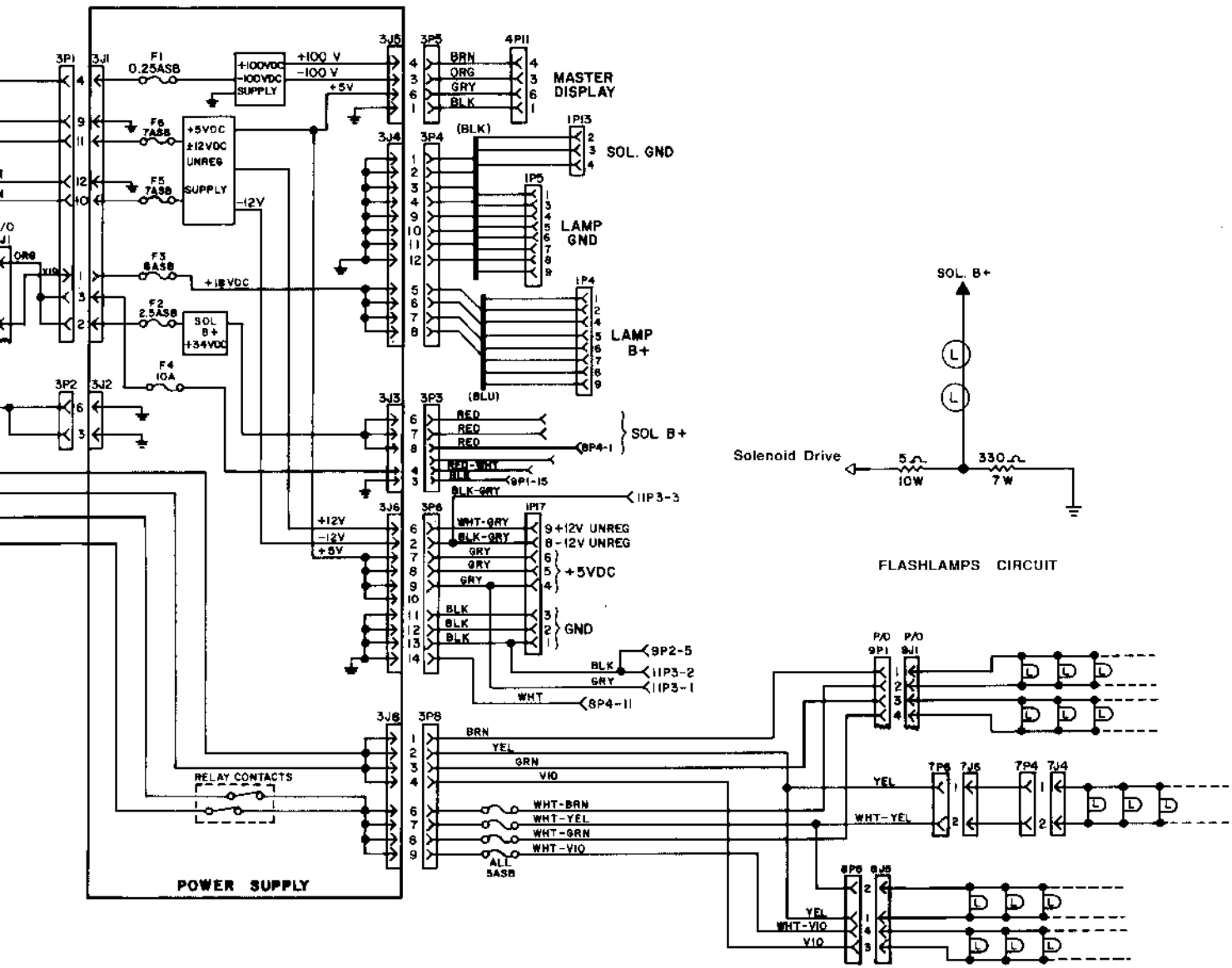


ITEM	PART NUMBER	DESCRIPTION	QTY	ITEM	PART NUMBER	DESCRIPTION	QTY
PROJ ENGR	M. LOFFREDO	DO NOT SCALE WORK TO DIMENSIONS SHOWN		WILLIAMS ELECTRONICS, INC.			
DOWN BY	DATE	REMOVE BURRS - BREAK SHARP EDGES		3401 N. CALIFORNIA AVE		CHICAGO IL	60618
ROSS	8/1/85	TOLERANCES UNLESS OTHERWISE SPECIFIED		NAME SCHEMATIC, CPU SYS 11			
CHECKED BY	DATE	FRACTIONAL 1/64 ANGULAR 2°		SCALE N/S		SHT 4 OF 4	PART NO 16-8947
WILSON	11-6-85	DECIMAL .005 FILLETS .020 MAX		REV C			
APPROVAL	DATE	MATERIAL					
D-10880							

Schematic, System 11 CPU Board (16-8947, Sheet 4 of 4)

PIN-BOT 62

16-8947



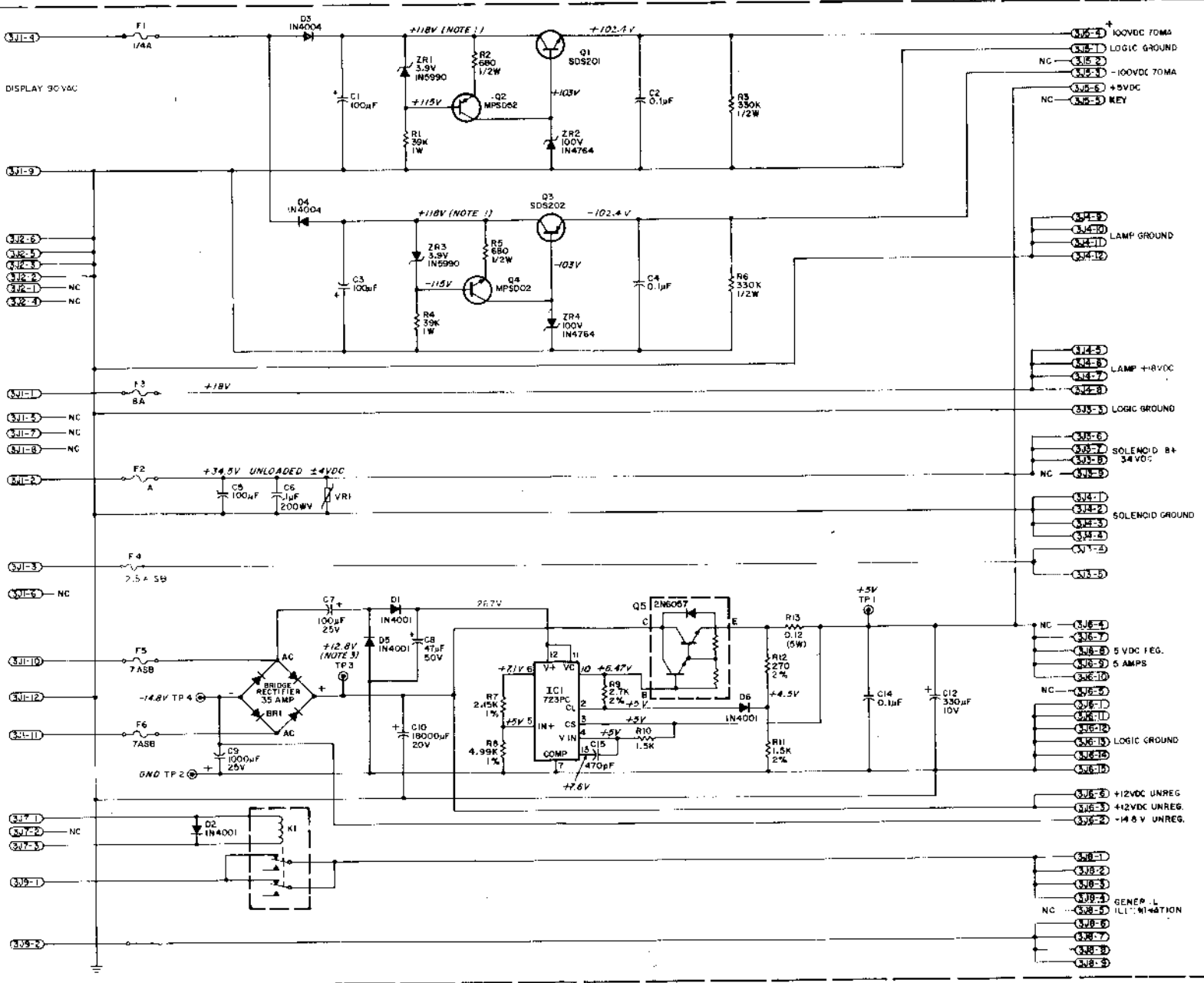
TRANSFORMER CHART (Transformer)

	230 VAC	103.5 VAC
TP5	7P5	7P5
1	BLK	BLK
2		
3		
4		
5		
6		
7	WHT	WHT
8		
9		
10		
11		
12		
13		
14		
15		
16		
17		
18		
19		
20		
21		
22		
23		
24		
25		
26		
27		
28		
29		
30		
31		
32		
33		
34		
35		
36		
37		
38		
39		
40		
41		
42		
43		
44		
45		
46		
47		
48		
49		
50		
51		
52		
53		
54		
55		
56		
57		
58		
59		
60		
61		
62		
63		
64		
65		
66		
67		
68		
69		
70		
71		
72		
73		
74		
75		
76		
77		
78		
79		
80		
81		
82		
83		
84		
85		
86		
87		
88		
89		
90		
91		
92		
93		
94		
95		
96		
97		
98		
99		
100		

4 ASB 8 ASB
 275 V 130 V

V. VARIATOR: 5017-09063-00
 V. VARIATOR: 5017-09044-00
 220 VAC SB: 5731-06314-00
 115 VAC SB: 5730-09252-00

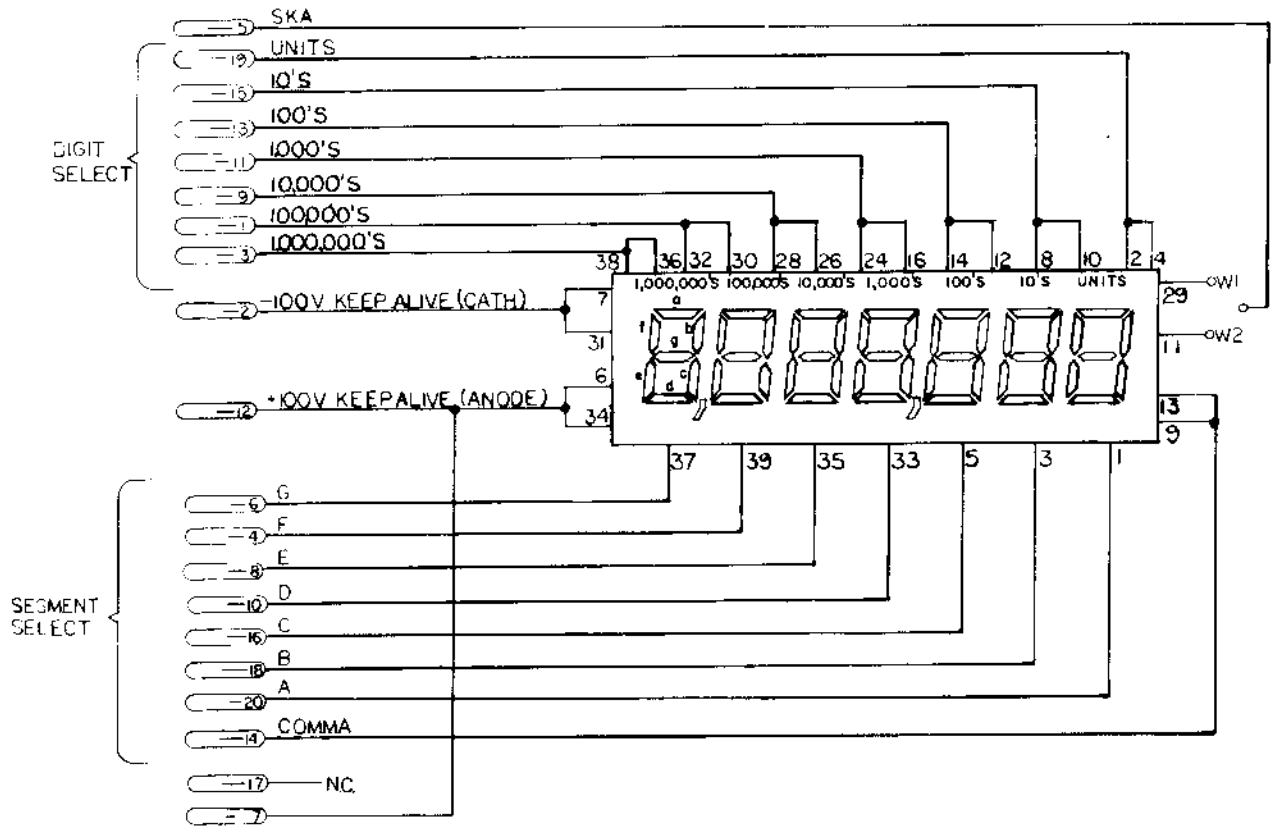
Power Wiring Diagram



NOTES:

1. Display voltage measured with digits display test ON, and displays at all zeroes.
2. Unless otherwise indicated, all resistors are in ohms (Ω), 1/4 watt.
3. TP3 (unregulated +12 VDC) readout should not go lower than +10.5 V, or intermittent reset will occur.

D-8345 Power Supply Schematic



C-8364-1 Player Score Display Panel Schematic

2 Double Lamp

PIN-BOT Lamp-Matrix Table

Δ = #555 Bulb, p/n 24-8767
 Remaining Lamps - #44 Bulb, p/n 24-6549

COLUMN ROW	1 Q66 YEL-BRN 1J7-1	2 Q64 YEL-RED 1J7-2	3 Q62 YEL-ORN 1J7-3	4 Q60 YEL-BLK 1J7-4	5 Q58 YEL-GRN 1J7-6	6 Q56 YEL-BLU 1J7-7	7 Q54 YEL-VIO 1J7-8	8 Q52 YEL-GRY 1J7-9
Q80 RED-BRN 1J6-1	Game Over (Backbox) 1	2X 9	Drop Targets' Single Timer Lamp 17	Earth 25	Shoot Again (Playfield) 33	Drop Targets' Top Lamp 41	Left Outlane Extra Ball 49	Right Outlane Extra Ball 57
Q81 RED-BLK 1J6-2	Match (Backbox) 2	3X 10	Advance Planet 18	Venus 26	Score ENERGY 34	Drop Targets' Middle Lamp 42	Left Return Extra Ball 50	Right Return Extra Ball 58
Q82 RED-ORN 1J6-3	Ball In Play (Backbox) 3	4X 11	Pluto 19	Mercury 27	Solar Energy Value 35	Drop Targets' Bottom Lamp 43	Special 51	Not Used 59
Q83 RED-YEL 1J6-5	Mouth 1 (Backbox Left) 4	5X 12	Neptune 20	Yellow 1 Δ (Top) 28	Blue 1 Δ (Top) 36	Amber 1 Δ (Top) 44	Green 1 Δ (Top) 52	Red 1 Δ (Top) 60
Q84 RED-GRN 1J6-6	Mouth 2 (Backbox) 5	Single Eject's 25K 13	Uranus 21	Yellow 2 Δ 29	Blue 2 Δ 37	Amber 2 Δ 45	Green 2 Δ 53	Red 2 Δ 61
Q85 RED-BLU 1J6-7	Mouth 3 (Backbox) 6	Single Eject's 50K 14	Saturn 22	Yellow 3 Δ 30	Blue 3 Δ 38	Amber 3 Δ 46	Green 3 Δ 54	Red 3 Δ 62
Q86 RED-VIO 1J6-8	Mouth 4 (Backbox) 7	Single Eject's 75K 15	Jupiter 23	Yellow 4 Δ 31	Blue 4 Δ 39	Amber 4 Δ 47	Green 4 Δ 55	Red 4 Δ 63
Q87 RED-GRY 1J6-9	Mouth 5 (Backbox Right) 8	Single Eject's Light Extra Ball 16	Mars 24	Yellow 5 Δ (Bottom) 32	Blue 5 Δ (Bottom) 40	Amber 5 Δ (Bottom) 48	Green 5 Δ (Bottom) 56	Red 5 Δ (Bottom) 64

PIN-BOT Switch-Matrix Table

COLUMN ROW	1 Q45 GRN-BRN 1J8-1	2 Q49 GRN-RED 1J8-2	3 Q44 GRN-ORN 1J8-3	4 Q48 GRN-YEL 1J8-4	5 Q43 GRN-BLK 1J8-5	6 Q47 GRN-BLU 1J8-7	7 Q42 GRN-VIO 1J8-8	8 Q46 GRN-GRY 1J8-9
1 WHT-BRN 1J10-9	Plumb Bob Tilt 1	Playfield Tilt 9	Ball Trough #1 (Lower Right) 17	Left Eject 25	Right 5-Bank (Top) 33	Not Used 41	Left Drop Target (Upper) 49	Not Used 57
2 WHT-RED 1J10-8	Ball Roll Tilt 2	Left Lane Change 10	Ball Trough #2 (Center) 18	Right Eject 26	Right 5-Bank 34	Not Used 42	Left Drop Target (Mid) 50	Not Used 58
3 WHT-ORN 1J10-7	Credit Button 3	Right Lane Change 11	Advance Planet 19	Not Used 27	Right 5-Bank (Center) 35	Not Used 43	Left Drop Target (Lower) 51	10 Point 59
4 WHT-YEL 1J10-6	Right Coin Chute 4	Left Outlane 12	Shooter Lane 20	Visor Target 1 (Left) 28	Right 5-Bank 36	Ramp Down 44	Top Jet Bumper 52	10 Point 60
5 WHT-GRN 1J10-5	Center Coin Chute 5	Left Return Lane 13	Not Used 21	Visor Target 2 29	Right 5-Bank (Bottom) 37	Score Energy 45	Bottom Jet Bumper 53	Not Used 61
6 WHT-BLU 1J10-3	Left Coin Chute 6	Right Return Lane 14	Vortex 20K 22	Visor Target 3 (Center) 30	Single Eject 38	Visor Closed 46	Left Sling 54	Not Used 62
7 WHT-VIO 1J10-2	Slam Tilt 7	Right Outlane 15	Vortex 100K 23	Visor Target 4 31	Exit Ramp 39	Visor Open 47	Right Sling 55	Not Used 63
8 WHT-GRY 1J10-1	High-Score Reset 8	Outhole 16	Vortex 5K (Exit) 24	Visor Target 5 (Right) 32	Enter Ramp 40	Left Jet Bumper 48	10 Point 56	Not Used 64